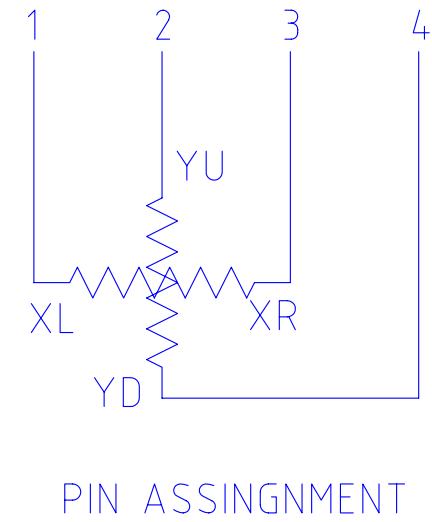
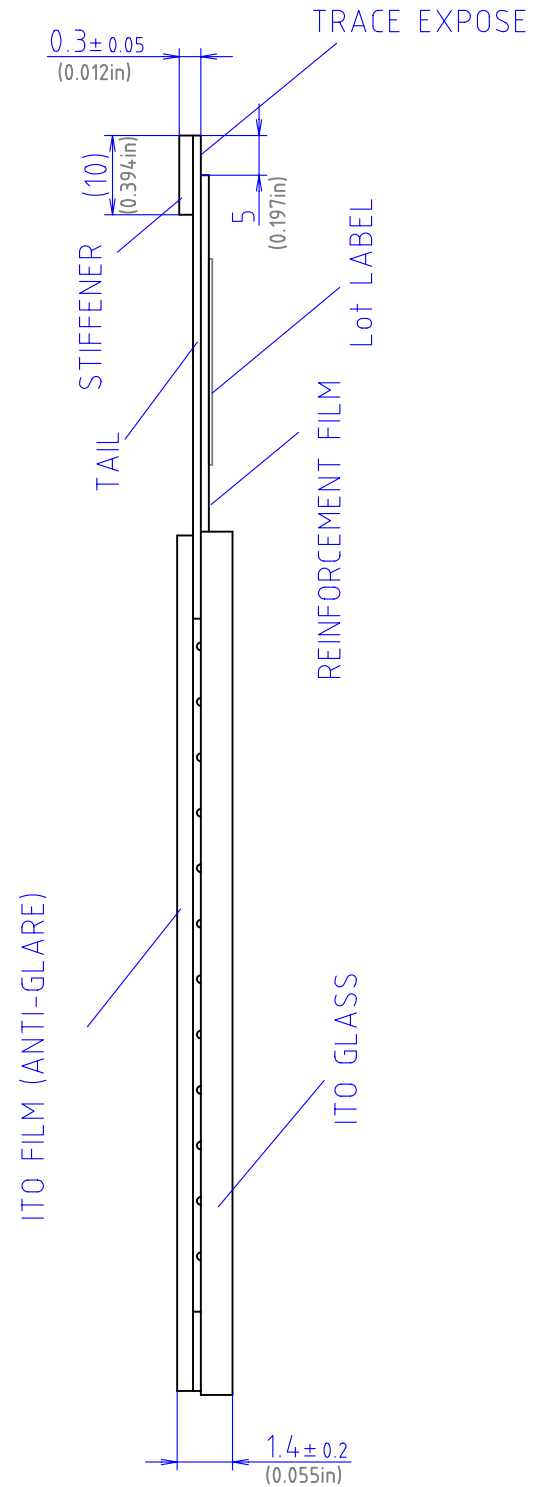
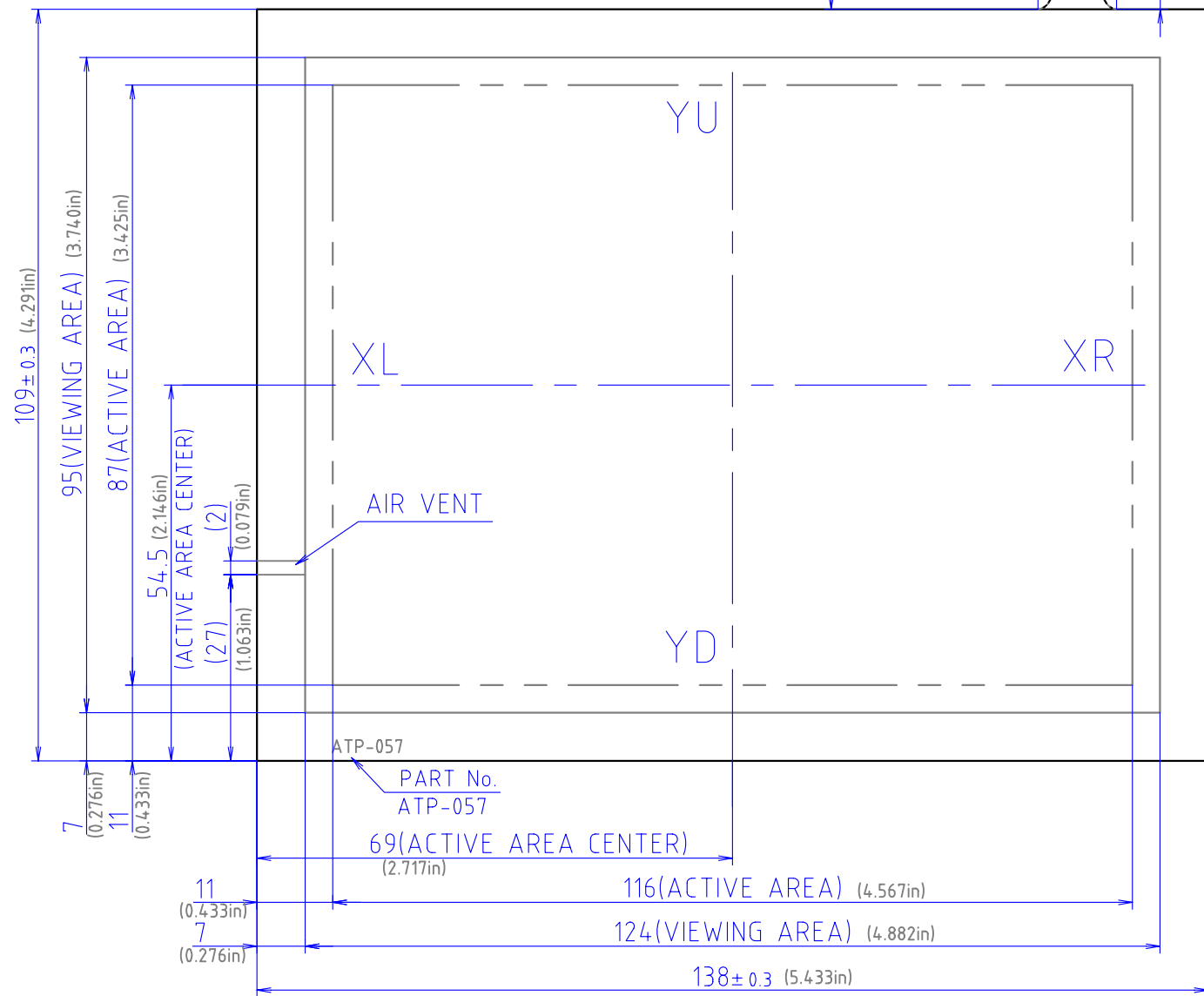
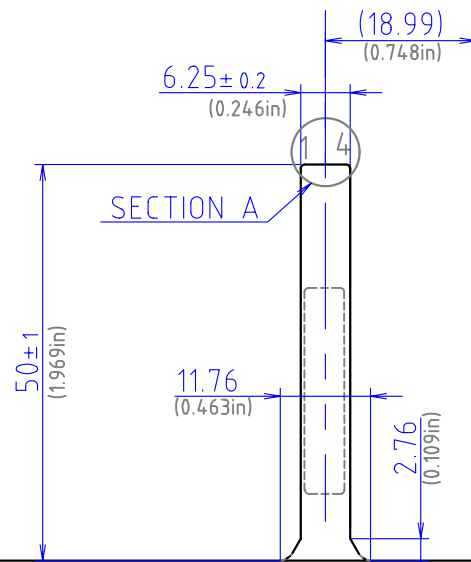
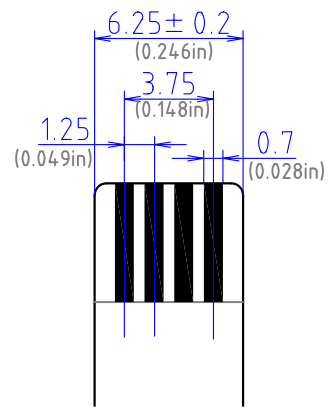


# SECTION A



Tolerance ± 0.5  
Unit=mm

|   |               |
|---|---------------|
| PART  | DATE          |
| ATP-057                                     | 2003.03.15    |
| TYPE  | DMC Co., Ltd. |
| STANDARD TOUCHSCREEN<br>DIMENSIONAL DRAWING |               |