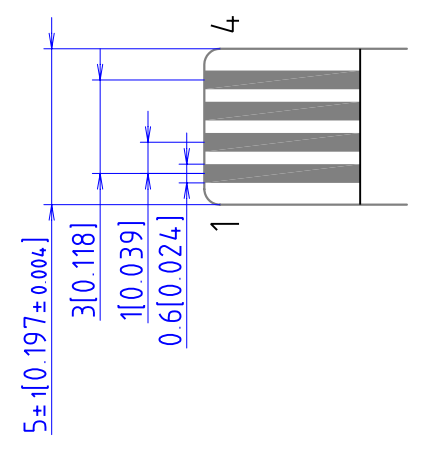


SECTION A



TOLERANCE = ± 0.5mm(0.02in)
EXCEPT WHERE INDICATED
Unit: mm

PART No.	DATE
QST-057A075H	Mar 26, 2010
TYPE	DMC Co., Ltd.
STANDARD TOUCHSCREEN DIMENSIONAL DRAWING	