



7.0 inch (19.7cm)
Part-No. 12031997
7.0" easyTOUCH Plus Glass/Film/ Film (passive tail)
including mXT640U USB Controller PCB

Glass and Touch

Cover glass	2mm Float glass, chemically strengthened, no treatment Printing RAL9005 organic Dimensions according to outline drawing
Touch sensor type	7.0" easyTOUCH Film/ Film Sensor (12012164)
Format	Wide
Active area touch sensor (W x H)	157.60 (H) x 93.69 (V)
Optical Specification	according to DATA MODUL Outgoing Specification 12005964

Assembling

Glass to touch	Optically bonded
----------------	------------------

Touch Controller PCB

Controller Type	mXT640U
Touch Interface	USB
Size	33 x 43 x 4.5mm
USB Connector	Molex 53261-0971 (or equivalent)
Power Supply	5V ± 5%

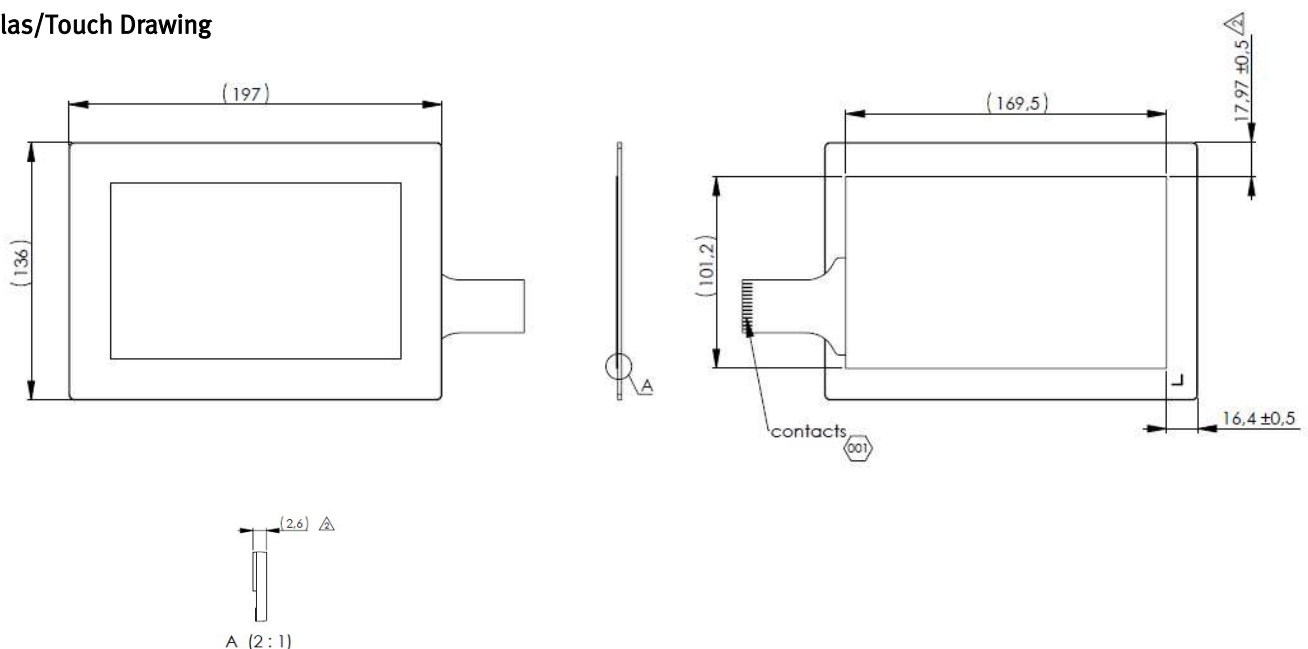
Environmental conditions

Temperature (operating)	-20 to 70 °C
-------------------------	--------------

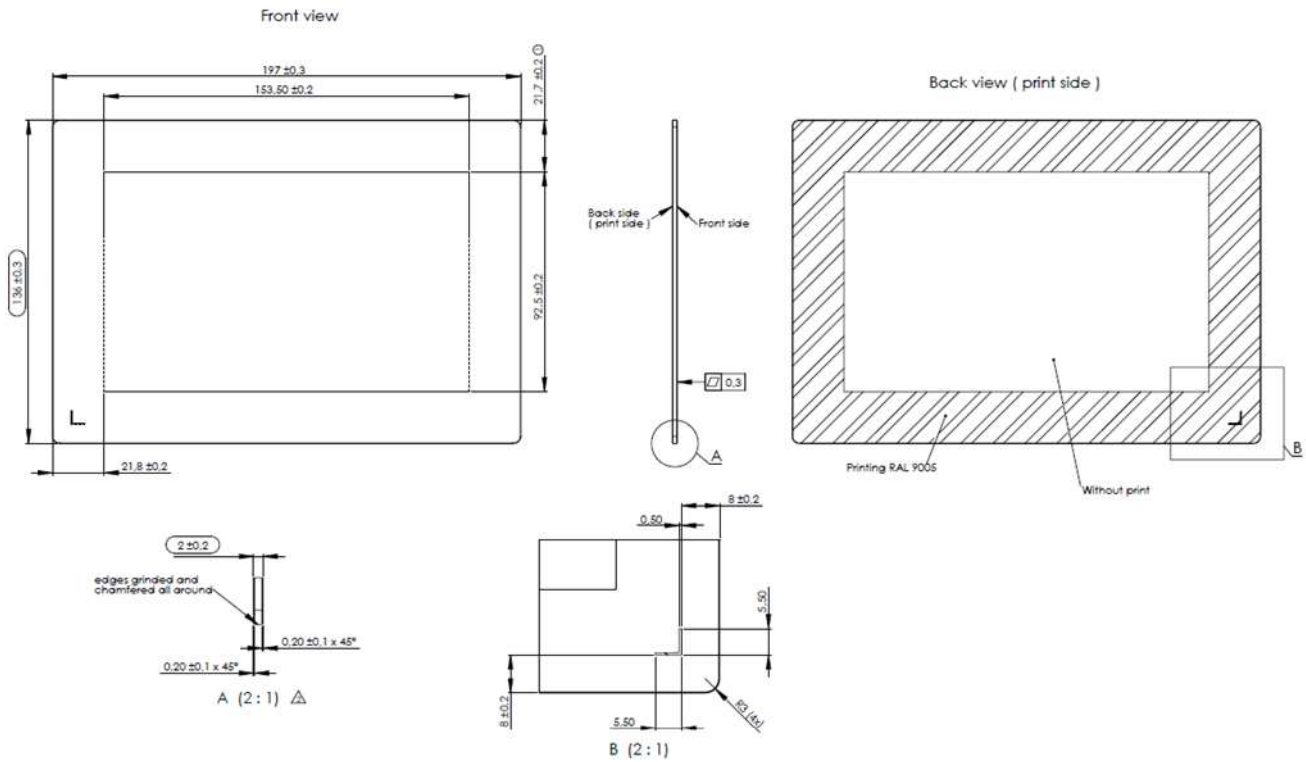
Mechanical dimensions

Outline dimensions (W x H x T) in mm	197.0 (H) x 136.0 (V) x 2.6 (T) Detailed dimensions according to outline drawing
---	---

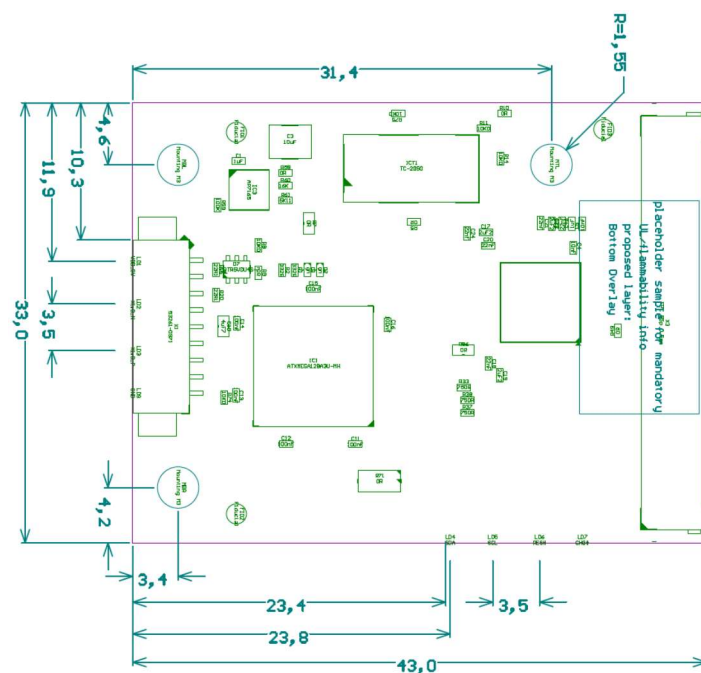
Glas/Touch Drawing



Detailed Glass Drawing



Controller Drawing



Height: 4.5mm (including components)
 All dimensions in mm