



SPECIFICATION



G156HAN04.0

15.6" – FHD – LVDS

Version: 1.2

Date: 09.05.2022

Note: This specification is subject to change without prior notice



Product Specification

G156HAN04.0

AU OPTRONICS CORPORATION

() Preliminary Specifications

(✓) Final Specifications

Module	15.6" FHD Color TFT-LCD
Model Name	G156HAN04.0
Note	LED backlight with driving circuit design

Customer	Date
_____	_____
Checked & Approved by	Date
_____	_____
Customer's sign back page	

Approved by	Date
<u>Ginger Lin</u>	<u>05/09/2022</u>
Prepared by	Date
<u>Robert Hsieh</u>	<u>05/09/2022</u>
General Display Business Division / AU Optronics corporation	



Contents

1. Handling Precautions 7

2. General Description 7

 2.1 General Specification 8

 2.2 Optical Characteristics 9

3. Functional Block Diagram 12

4. Absolute Maximum Ratings 12

 4.1 Absolute Ratings of TFT LCD Module 13

 4.2 Absolute Ratings of Environment 13

 5.1 TFT LCD Module 14

 5.2 Backlight Unit 16

6. Signal Interface Characteristic 18

 6.1 Pixel Format Image 18

 6.2 Signal Description 19

 6.3 The Input Data Format 21

 6.4 Interface Timing 22

 6.5 Power ON/OFF Sequence 23

7. Panel Reliability Test 24

8. Mechanical Characteristics 25

 8.1 LCM Outline Dimension (Front View) 25

 8.2 LCM Outline Dimension (Rear View) 26

9. Label and Packaging 27

 9.1 Shipping Label (on the rear side of TFT-LCD display) 27

 9.2 Carton Package 28

 9.3 Shipping Package of Palletizing Sequence 28

10. Safety 29

 10.1 Sharp Edge Requirements 29

 10.2 Materials 29

 10.3 Capacitors 29

 10.4 National Test Lab Requirement 29

11. Handling guide 30

Record of Revision

Version	Date	Page	Old description	New Description																																
v 0.1	2020/02/20	All	First Edition for Customer																																	
V 0.2	2021/01/25	5	Backlight Power Consumption:27.1	Backlight Power Consumption:30.17																																
		5	<table border="1"> <thead> <tr> <th></th> <th>Min.</th> <th>Typ.</th> <th>Max.</th> </tr> </thead> <tbody> <tr> <td>Length</td> <td>363.3</td> <td>363.8</td> <td>364.3</td> </tr> <tr> <td>Width</td> <td>215.4</td> <td>215.9</td> <td>216.4</td> </tr> <tr> <td>Thickness</td> <td>8.32 (PCB)</td> <td>8.82 (PCB)</td> <td>9.32 (PCB)</td> </tr> </tbody> </table>		Min.	Typ.	Max.	Length	363.3	363.8	364.3	Width	215.4	215.9	216.4	Thickness	8.32 (PCB)	8.82 (PCB)	9.32 (PCB)	<table border="1"> <thead> <tr> <th></th> <th>Min.</th> </tr> </thead> <tbody> <tr> <td>Length</td> <td>363.3</td> </tr> <tr> <td>Width</td> <td>215.4</td> </tr> <tr> <td>Thickness</td> <td>9.82 connector</td> </tr> </tbody> </table>		Min.	Length	363.3	Width	215.4	Thickness	9.82 connector								
	Min.	Typ.	Max.																																	
Length	363.3	363.8	364.3																																	
Width	215.4	215.9	216.4																																	
Thickness	8.32 (PCB)	8.82 (PCB)	9.32 (PCB)																																	
	Min.																																			
Length	363.3																																			
Width	215.4																																			
Thickness	9.82 connector																																			
		13	Backlight Power Consumption: typ. TBD, Max:27.1W	Backlight Power Consumption: typ. 25.14W , Max:30.17W																																
		17.		 Add connector 1 & 2 notification																																
		22																																		
		23																																		
V1.0	2021/12/08	6	<table border="1"> <thead> <tr> <th>Physical size include bracket (mm)</th> <th>Min.</th> <th>Typ.</th> <th>Max.</th> </tr> </thead> <tbody> <tr> <td>Length</td> <td>363.3</td> <td>363.8</td> <td>364.3</td> </tr> <tr> <td>Width</td> <td>215.4</td> <td>215.9</td> <td>216.4</td> </tr> <tr> <td>Thickness</td> <td>9.82 connector</td> <td>10.32 connector</td> <td>10.82 connector</td> </tr> </tbody> </table>	Physical size include bracket (mm)	Min.	Typ.	Max.	Length	363.3	363.8	364.3	Width	215.4	215.9	216.4	Thickness	9.82 connector	10.32 connector	10.82 connector	<table border="1"> <thead> <tr> <th>Physical size include bracket (mm)</th> <th>Min.</th> <th>Typ.</th> <th>Max.</th> </tr> </thead> <tbody> <tr> <td>Length</td> <td>363.3</td> <td>363.8</td> <td>364.3</td> </tr> <tr> <td>Width</td> <td>215.4</td> <td>215.9</td> <td>216.4</td> </tr> <tr> <td>Thickness</td> <td>-</td> <td>10.56 PCB</td> <td>11.06 PCB</td> </tr> </tbody> </table>	Physical size include bracket (mm)	Min.	Typ.	Max.	Length	363.3	363.8	364.3	Width	215.4	215.9	216.4	Thickness	-	10.56 PCB	11.06 PCB
Physical size include bracket (mm)	Min.	Typ.	Max.																																	
Length	363.3	363.8	364.3																																	
Width	215.4	215.9	216.4																																	
Thickness	9.82 connector	10.32 connector	10.82 connector																																	
Physical size include bracket (mm)	Min.	Typ.	Max.																																	
Length	363.3	363.8	364.3																																	
Width	215.4	215.9	216.4																																	
Thickness	-	10.56 PCB	11.06 PCB																																	

		7	<table border="1"> <tr> <td>White Luminance</td> <td>cd/m²</td> <td>L₅₀=90mA Center average</td> <td>800</td> <td>1000</td> <td>--</td> <td>1, 2</td> </tr> <tr> <td>Luminance Uniformity</td> <td>%</td> <td>9 Points</td> <td>75</td> <td>80</td> <td>--</td> <td>1, 2, 3</td> </tr> <tr> <td>Contrast Ratio</td> <td>--</td> <td></td> <td>700</td> <td>1000</td> <td>--</td> <td>1, 4</td> </tr> <tr> <td>Response Time</td> <td>msec</td> <td>Rising + Falling</td> <td>--</td> <td>25</td> <td>35</td> <td>1, 5</td> </tr> <tr> <td rowspan="2">Viewing Angle</td> <td rowspan="2">degree</td> <td>Horizontal (Right) (Left)</td> <td>80</td> <td>89</td> <td>--</td> <td rowspan="2">1, 6</td> </tr> <tr> <td>Vertical (Upper) (Lower)</td> <td>80</td> <td>89</td> <td>--</td> </tr> <tr> <td rowspan="8">Color / Chromaticity Coordinates (CIE 1931)</td> <td rowspan="2">Red</td> <td>Rx</td> <td>TBD</td> <td>TBD</td> <td>TBD</td> <td rowspan="8">4</td> </tr> <tr> <td>Ry</td> <td>TBD</td> <td>TBD</td> <td>TBD</td> </tr> <tr> <td rowspan="2">Green</td> <td>Gx</td> <td>TBD</td> <td>TBD</td> <td>TBD</td> </tr> <tr> <td>Gy</td> <td>TBD</td> <td>TBD</td> <td>TBD</td> </tr> <tr> <td rowspan="2">Blue</td> <td>Bx</td> <td>TBD</td> <td>TBD</td> <td>TBD</td> </tr> <tr> <td>By</td> <td>TBD</td> <td>TBD</td> <td>TBD</td> </tr> <tr> <td rowspan="2">White</td> <td>Wx</td> <td>0.263</td> <td>0.313</td> <td>0.363</td> </tr> <tr> <td>Wy</td> <td>0.279</td> <td>0.329</td> <td>0.379</td> </tr> <tr> <td>Color Gamut</td> <td>%</td> <td></td> <td>--</td> <td>72</td> <td>--</td> </tr> </table>	White Luminance	cd/m ²	L ₅₀ =90mA Center average	800	1000	--	1, 2	Luminance Uniformity	%	9 Points	75	80	--	1, 2, 3	Contrast Ratio	--		700	1000	--	1, 4	Response Time	msec	Rising + Falling	--	25	35	1, 5	Viewing Angle	degree	Horizontal (Right) (Left)	80	89	--	1, 6	Vertical (Upper) (Lower)	80	89	--	Color / Chromaticity Coordinates (CIE 1931)	Red	Rx	TBD	TBD	TBD	4	Ry	TBD	TBD	TBD	Green	Gx	TBD	TBD	TBD	Gy	TBD	TBD	TBD	Blue	Bx	TBD	TBD	TBD	By	TBD	TBD	TBD	White	Wx	0.263	0.313	0.363	Wy	0.279	0.329	0.379	Color Gamut	%		--	72	--	<table border="1"> <tr> <td>Item</td> <td>Unit</td> <td>Conditions</td> <td>Min.</td> <td>Typ.</td> <td>Max.</td> <td>Note</td> </tr> <tr> <td>White Luminance</td> <td>cd/m²</td> <td>L₅₀=70mA Center average</td> <td>800</td> <td>1000</td> <td>--</td> <td>1, 2</td> </tr> <tr> <td>Luminance Uniformity</td> <td>%</td> <td>9 Points</td> <td>75</td> <td>80</td> <td>--</td> <td>1, 2, 3</td> </tr> <tr> <td>Contrast Ratio</td> <td>--</td> <td></td> <td>700</td> <td>1000</td> <td>--</td> <td>1, 4</td> </tr> <tr> <td>Response Time</td> <td>msec</td> <td>Rising + Falling</td> <td>--</td> <td>25</td> <td>35</td> <td>1, 5</td> </tr> <tr> <td rowspan="2">Viewing Angle</td> <td rowspan="2">degree</td> <td>Horizontal (Right) (Left)</td> <td>80</td> <td>89</td> <td>--</td> <td rowspan="2">1, 6</td> </tr> <tr> <td>Vertical (Upper) (Lower)</td> <td>80</td> <td>89</td> <td>--</td> </tr> <tr> <td rowspan="8">Color / Chromaticity Coordinates (CIE 1931)</td> <td rowspan="2">Red</td> <td>Rx</td> <td>0.605</td> <td>0.655</td> <td>0.705</td> <td rowspan="8">4</td> </tr> <tr> <td>Ry</td> <td>0.282</td> <td>0.332</td> <td>0.382</td> </tr> <tr> <td rowspan="2">Green</td> <td>Gx</td> <td>0.248</td> <td>0.298</td> <td>0.348</td> </tr> <tr> <td>Gy</td> <td>0.567</td> <td>0.617</td> <td>0.667</td> </tr> <tr> <td rowspan="2">Blue</td> <td>Bx</td> <td>0.097</td> <td>0.147</td> <td>0.197</td> </tr> <tr> <td>By</td> <td>0.012</td> <td>0.062</td> <td>0.112</td> </tr> <tr> <td rowspan="2">White</td> <td>Wx</td> <td>0.263</td> <td>0.313</td> <td>0.363</td> </tr> <tr> <td>Wy</td> <td>0.279</td> <td>0.329</td> <td>0.379</td> </tr> <tr> <td>Color Gamut</td> <td>%</td> <td></td> <td>--</td> <td>72</td> <td>--</td> </tr> </table>	Item	Unit	Conditions	Min.	Typ.	Max.	Note	White Luminance	cd/m ²	L ₅₀ =70mA Center average	800	1000	--	1, 2	Luminance Uniformity	%	9 Points	75	80	--	1, 2, 3	Contrast Ratio	--		700	1000	--	1, 4	Response Time	msec	Rising + Falling	--	25	35	1, 5	Viewing Angle	degree	Horizontal (Right) (Left)	80	89	--	1, 6	Vertical (Upper) (Lower)	80	89	--	Color / Chromaticity Coordinates (CIE 1931)	Red	Rx	0.605	0.655	0.705	4	Ry	0.282	0.332	0.382	Green	Gx	0.248	0.298	0.348	Gy	0.567	0.617	0.667	Blue	Bx	0.097	0.147	0.197	By	0.012	0.062	0.112	White	Wx	0.263	0.313	0.363	Wy	0.279	0.329	0.379	Color Gamut	%		--	72	--
White Luminance	cd/m ²	L ₅₀ =90mA Center average	800	1000	--	1, 2																																																																																																																																																																											
Luminance Uniformity	%	9 Points	75	80	--	1, 2, 3																																																																																																																																																																											
Contrast Ratio	--		700	1000	--	1, 4																																																																																																																																																																											
Response Time	msec	Rising + Falling	--	25	35	1, 5																																																																																																																																																																											
Viewing Angle	degree	Horizontal (Right) (Left)	80	89	--	1, 6																																																																																																																																																																											
		Vertical (Upper) (Lower)	80	89	--																																																																																																																																																																												
Color / Chromaticity Coordinates (CIE 1931)	Red	Rx	TBD	TBD	TBD	4																																																																																																																																																																											
		Ry	TBD	TBD	TBD																																																																																																																																																																												
	Green	Gx	TBD	TBD	TBD																																																																																																																																																																												
		Gy	TBD	TBD	TBD																																																																																																																																																																												
	Blue	Bx	TBD	TBD	TBD																																																																																																																																																																												
		By	TBD	TBD	TBD																																																																																																																																																																												
	White	Wx	0.263	0.313	0.363																																																																																																																																																																												
		Wy	0.279	0.329	0.379																																																																																																																																																																												
Color Gamut	%		--	72	--																																																																																																																																																																												
Item	Unit	Conditions	Min.	Typ.	Max.	Note																																																																																																																																																																											
White Luminance	cd/m ²	L ₅₀ =70mA Center average	800	1000	--	1, 2																																																																																																																																																																											
Luminance Uniformity	%	9 Points	75	80	--	1, 2, 3																																																																																																																																																																											
Contrast Ratio	--		700	1000	--	1, 4																																																																																																																																																																											
Response Time	msec	Rising + Falling	--	25	35	1, 5																																																																																																																																																																											
Viewing Angle	degree	Horizontal (Right) (Left)	80	89	--	1, 6																																																																																																																																																																											
		Vertical (Upper) (Lower)	80	89	--																																																																																																																																																																												
Color / Chromaticity Coordinates (CIE 1931)	Red	Rx	0.605	0.655	0.705	4																																																																																																																																																																											
		Ry	0.282	0.332	0.382																																																																																																																																																																												
	Green	Gx	0.248	0.298	0.348																																																																																																																																																																												
		Gy	0.567	0.617	0.667																																																																																																																																																																												
	Blue	Bx	0.097	0.147	0.197																																																																																																																																																																												
		By	0.012	0.062	0.112																																																																																																																																																																												
	White	Wx	0.263	0.313	0.363																																																																																																																																																																												
		Wy	0.279	0.329	0.379																																																																																																																																																																												
Color Gamut	%		--	72	--																																																																																																																																																																												
		14	<p>5.2.1 LED Backlight Unit : Driver Connector</p> <table border="1"> <tr> <td>Connector Name / Designation</td> <td>Lamp Connector</td> </tr> <tr> <td>Manufacturer</td> <td>Enteri</td> </tr> <tr> <td>Connector Model Number</td> <td>3009K-F05H-02 or compatible</td> </tr> <tr> <td>Mating Model Number</td> <td>H209K-005N-22B or compatible</td> </tr> </table> <table border="1"> <tr> <th>Pin No.</th> <th>Symbol</th> <th>Description</th> </tr> <tr> <td>Pin1</td> <td>VLED</td> <td>12V Input</td> </tr> <tr> <td>Pin2</td> <td>GND</td> <td>GND</td> </tr> <tr> <td>Pin3</td> <td>VLED_EN</td> <td>SV-ON/OV-OFF</td> </tr> <tr> <td>Pin4</td> <td>VPWM_EN</td> <td>PWM</td> </tr> <tr> <td>Pin5</td> <td>NA</td> <td>NC</td> </tr> </table> <p>5.2.3 Parameter guideline for LED</p> <p>Following characteristics are measured under a stable condition using an inverter at 25°C (Room temperature).</p> <p>LED characteristics</p> <table border="1"> <tr> <th>Parameter</th> <th>Symbol</th> <th>Min</th> <th>Typ</th> <th>Max</th> <th>Units</th> <th>Condition</th> </tr> <tr> <td>Backlight Power Consumption</td> <td>PLED</td> <td>--</td> <td>25.14</td> <td>30.17</td> <td>[Watt]</td> <td>(Ta=25°C, Note 1- Vin =12V)</td> </tr> <tr> <td>LED Life-Time</td> <td>N/A</td> <td>50,000</td> <td>--</td> <td>--</td> <td>Hour</td> <td>(Ta=25°C, Note 2,3)</td> </tr> </table>	Connector Name / Designation	Lamp Connector	Manufacturer	Enteri	Connector Model Number	3009K-F05H-02 or compatible	Mating Model Number	H209K-005N-22B or compatible	Pin No.	Symbol	Description	Pin1	VLED	12V Input	Pin2	GND	GND	Pin3	VLED_EN	SV-ON/OV-OFF	Pin4	VPWM_EN	PWM	Pin5	NA	NC	Parameter	Symbol	Min	Typ	Max	Units	Condition	Backlight Power Consumption	PLED	--	25.14	30.17	[Watt]	(Ta=25°C, Note 1- Vin =12V)	LED Life-Time	N/A	50,000	--	--	Hour	(Ta=25°C, Note 2,3)	<table border="1"> <tr> <td>Connector Name / Designation</td> <td>Lamp Connector</td> </tr> <tr> <td>Manufacturer</td> <td>STM or compatible</td> </tr> <tr> <td>Connector Model Number</td> <td>MSB24038PSD or compatible</td> </tr> <tr> <td>Mating Model Number</td> <td>P24038PS or compatible</td> </tr> </table> <table border="1"> <tr> <th>Pin No.</th> <th>Symbol</th> <th>Description</th> </tr> <tr> <td>Pin1</td> <td>VLED</td> <td>24V Input</td> </tr> <tr> <td>Pin2</td> <td>GND</td> <td>GND</td> </tr> <tr> <td>Pin3</td> <td>VLED_EN</td> <td>SV-ON/OV-OFF</td> </tr> <tr> <td>Pin4</td> <td>VPWM_EN</td> <td>PWM</td> </tr> <tr> <td>Pin5</td> <td>NA</td> <td>NC</td> </tr> </table> <p>5.2.3 Parameter guideline for LED</p> <p>Following characteristics are measured under a stable condition using an inverter at 25°C (Room temperature).</p> <p>LED characteristics</p> <table border="1"> <tr> <th>Parameter</th> <th>Symbol</th> <th>Min</th> <th>Typ</th> <th>Max</th> <th>Units</th> <th>Condition</th> </tr> <tr> <td>Backlight Power Consumption</td> <td>PLED</td> <td>--</td> <td>25.14</td> <td>30.17</td> <td>[Watt]</td> <td>(Ta=25°C, Note 1- VLED =24V)</td> </tr> <tr> <td>LED Life-Time</td> <td>N/A</td> <td>50,000</td> <td>--</td> <td>--</td> <td>Hour</td> <td>(Ta=25°C, Note 2,3)</td> </tr> </table>	Connector Name / Designation	Lamp Connector	Manufacturer	STM or compatible	Connector Model Number	MSB24038PSD or compatible	Mating Model Number	P24038PS or compatible	Pin No.	Symbol	Description	Pin1	VLED	24V Input	Pin2	GND	GND	Pin3	VLED_EN	SV-ON/OV-OFF	Pin4	VPWM_EN	PWM	Pin5	NA	NC	Parameter	Symbol	Min	Typ	Max	Units	Condition	Backlight Power Consumption	PLED	--	25.14	30.17	[Watt]	(Ta=25°C, Note 1- VLED =24V)	LED Life-Time	N/A	50,000	--	--	Hour	(Ta=25°C, Note 2,3)																																																																															
Connector Name / Designation	Lamp Connector																																																																																																																																																																																
Manufacturer	Enteri																																																																																																																																																																																
Connector Model Number	3009K-F05H-02 or compatible																																																																																																																																																																																
Mating Model Number	H209K-005N-22B or compatible																																																																																																																																																																																
Pin No.	Symbol	Description																																																																																																																																																																															
Pin1	VLED	12V Input																																																																																																																																																																															
Pin2	GND	GND																																																																																																																																																																															
Pin3	VLED_EN	SV-ON/OV-OFF																																																																																																																																																																															
Pin4	VPWM_EN	PWM																																																																																																																																																																															
Pin5	NA	NC																																																																																																																																																																															
Parameter	Symbol	Min	Typ	Max	Units	Condition																																																																																																																																																																											
Backlight Power Consumption	PLED	--	25.14	30.17	[Watt]	(Ta=25°C, Note 1- Vin =12V)																																																																																																																																																																											
LED Life-Time	N/A	50,000	--	--	Hour	(Ta=25°C, Note 2,3)																																																																																																																																																																											
Connector Name / Designation	Lamp Connector																																																																																																																																																																																
Manufacturer	STM or compatible																																																																																																																																																																																
Connector Model Number	MSB24038PSD or compatible																																																																																																																																																																																
Mating Model Number	P24038PS or compatible																																																																																																																																																																																
Pin No.	Symbol	Description																																																																																																																																																																															
Pin1	VLED	24V Input																																																																																																																																																																															
Pin2	GND	GND																																																																																																																																																																															
Pin3	VLED_EN	SV-ON/OV-OFF																																																																																																																																																																															
Pin4	VPWM_EN	PWM																																																																																																																																																																															
Pin5	NA	NC																																																																																																																																																																															
Parameter	Symbol	Min	Typ	Max	Units	Condition																																																																																																																																																																											
Backlight Power Consumption	PLED	--	25.14	30.17	[Watt]	(Ta=25°C, Note 1- VLED =24V)																																																																																																																																																																											
LED Life-Time	N/A	50,000	--	--	Hour	(Ta=25°C, Note 2,3)																																																																																																																																																																											
		15	<table border="1"> <tr> <th>Parameter</th> <th>Symbol</th> <th>Min</th> <th>Typ</th> <th>Max</th> <th>Units</th> <th>Remark</th> </tr> <tr> <td>LED Power Supply</td> <td>VLED</td> <td>10.8</td> <td>12</td> <td>13.2</td> <td>[Volt]</td> <td></td> </tr> <tr> <td>LED Enable Input - High Level</td> <td rowspan="2">VLED_EN</td> <td>2.5</td> <td>--</td> <td>5.5</td> <td>[Volt]</td> <td rowspan="4">Define as Connector Interface (Ta=25°C)</td> </tr> <tr> <td>LED Enable Input - Low Level</td> <td>0</td> <td>--</td> <td>0.7</td> <td>[Volt]</td> </tr> <tr> <td>PWM Logic Input - High Level</td> <td rowspan="2">VPWM_EN</td> <td>2.5</td> <td>--</td> <td>5.5</td> <td>[Volt]</td> </tr> <tr> <td>PWM Logic Input - Low Level</td> <td>0</td> <td>--</td> <td>0.7</td> <td>[Volt]</td> </tr> <tr> <td>PWM Input Frequency</td> <td>FPWM</td> <td>200</td> <td>1K</td> <td>15K</td> <td>Hz</td> <td></td> </tr> <tr> <td>PWM Duty Ratio</td> <td>Duty</td> <td>10</td> <td>--</td> <td>100</td> <td>%</td> <td></td> </tr> </table>	Parameter	Symbol	Min	Typ	Max	Units	Remark	LED Power Supply	VLED	10.8	12	13.2	[Volt]		LED Enable Input - High Level	VLED_EN	2.5	--	5.5	[Volt]	Define as Connector Interface (Ta=25°C)	LED Enable Input - Low Level	0	--	0.7	[Volt]	PWM Logic Input - High Level	VPWM_EN	2.5	--	5.5	[Volt]	PWM Logic Input - Low Level	0	--	0.7	[Volt]	PWM Input Frequency	FPWM	200	1K	15K	Hz		PWM Duty Ratio	Duty	10	--	100	%		<table border="1"> <tr> <th>Symbol</th> <th>Parameter</th> <th>Min</th> <th>Typ</th> <th>Max</th> <th>Units</th> <th>Remark</th> </tr> <tr> <td>VLED</td> <td>LED Power Supply</td> <td>22.8</td> <td>24</td> <td>25.2</td> <td>[Volt]</td> <td></td> </tr> <tr> <td>ILED</td> <td>LED Input Current</td> <td>--</td> <td>1.26</td> <td>--</td> <td>[A]</td> <td></td> </tr> <tr> <td rowspan="5">F_PWM</td> <td>Dimming Frequency</td> <td>200</td> <td>--</td> <td>20K</td> <td>[Hz]</td> <td rowspan="5">Define as Connector Interface (Ta=25°C)</td> </tr> <tr> <td>Swing Voltage</td> <td>3</td> <td>3.3</td> <td>5</td> <td>[Volt]</td> </tr> <tr> <td>High Voltage</td> <td>3</td> <td>3.3</td> <td>5</td> <td>[Volt]</td> </tr> <tr> <td>Low Voltage</td> <td>--</td> <td>--</td> <td>0.8</td> <td>[Volt]</td> </tr> <tr> <td>Dimming Duty 200Hz-5KHz</td> <td>5</td> <td>--</td> <td>100</td> <td>%</td> </tr> <tr> <td>Dimming Duty 5KHz-20KHz</td> <td>15</td> <td>--</td> <td>100</td> <td>%</td> </tr> </table>	Symbol	Parameter	Min	Typ	Max	Units	Remark	VLED	LED Power Supply	22.8	24	25.2	[Volt]		ILED	LED Input Current	--	1.26	--	[A]		F_PWM	Dimming Frequency	200	--	20K	[Hz]	Define as Connector Interface (Ta=25°C)	Swing Voltage	3	3.3	5	[Volt]	High Voltage	3	3.3	5	[Volt]	Low Voltage	--	--	0.8	[Volt]	Dimming Duty 200Hz-5KHz	5	--	100	%	Dimming Duty 5KHz-20KHz	15	--	100	%																																																																					
Parameter	Symbol	Min	Typ	Max	Units	Remark																																																																																																																																																																											
LED Power Supply	VLED	10.8	12	13.2	[Volt]																																																																																																																																																																												
LED Enable Input - High Level	VLED_EN	2.5	--	5.5	[Volt]	Define as Connector Interface (Ta=25°C)																																																																																																																																																																											
LED Enable Input - Low Level		0	--	0.7	[Volt]																																																																																																																																																																												
PWM Logic Input - High Level	VPWM_EN	2.5	--	5.5	[Volt]																																																																																																																																																																												
PWM Logic Input - Low Level		0	--	0.7	[Volt]																																																																																																																																																																												
PWM Input Frequency	FPWM	200	1K	15K	Hz																																																																																																																																																																												
PWM Duty Ratio	Duty	10	--	100	%																																																																																																																																																																												
Symbol	Parameter	Min	Typ	Max	Units	Remark																																																																																																																																																																											
VLED	LED Power Supply	22.8	24	25.2	[Volt]																																																																																																																																																																												
ILED	LED Input Current	--	1.26	--	[A]																																																																																																																																																																												
F_PWM	Dimming Frequency	200	--	20K	[Hz]	Define as Connector Interface (Ta=25°C)																																																																																																																																																																											
	Swing Voltage	3	3.3	5	[Volt]																																																																																																																																																																												
	High Voltage	3	3.3	5	[Volt]																																																																																																																																																																												
	Low Voltage	--	--	0.8	[Volt]																																																																																																																																																																												
	Dimming Duty 200Hz-5KHz	5	--	100	%																																																																																																																																																																												
Dimming Duty 5KHz-20KHz	15	--	100	%																																																																																																																																																																													
		23	<p>8.1 LCM Outline Dimension (Front View)</p>	<p>8.1 LCM Outline Dimension (Front View)</p>																																																																																																																																																																													

<p>V1.2</p>	<p>2022/05/09</p>	<p>8</p>	<table border="1"> <tr> <td>Physical Size Include bracket</td> <td>(mm)</td> <td>Length</td> <td>363.3</td> <td>Min.</td> <td>363.8</td> <td>Typ.</td> <td>364.3</td> <td>Max.</td> <td>364.3</td> </tr> <tr> <td></td> <td></td> <td>Width</td> <td>215.4</td> <td></td> <td>215.9</td> <td></td> <td>216.4</td> <td></td> <td></td> </tr> </table> <p>3156HAN04.0 Rev 1.1</p> <p>Product Specification G156HAN04.0 AU OPTRONICS CORPORATION</p> <table border="1"> <tr> <td>Thickness</td> <td></td> <td>10.56</td> <td>11.06</td> </tr> <tr> <td>Electrical Interface</td> <td></td> <td>2 ch LVDS</td> <td></td> </tr> <tr> <td>Surface Treatment</td> <td></td> <td>Anti-glare, 3H</td> <td></td> </tr> </table>	Physical Size Include bracket	(mm)	Length	363.3	Min.	363.8	Typ.	364.3	Max.	364.3			Width	215.4		215.9		216.4			Thickness		10.56	11.06	Electrical Interface		2 ch LVDS		Surface Treatment		Anti-glare, 3H		<table border="1"> <tr> <td>Physical Size Include bracket</td> <td>(mm)</td> <td>Length</td> <td>363.3</td> <td>Min.</td> <td>363.8</td> <td>Typ.</td> <td>364.3</td> <td>Max.</td> <td>364.3</td> </tr> <tr> <td></td> <td></td> <td>Width</td> <td>215.4</td> <td></td> <td>215.9</td> <td></td> <td>216.4</td> <td></td> <td></td> </tr> <tr> <td></td> <td></td> <td>Thickness</td> <td></td> <td></td> <td>10.51</td> <td></td> <td>11.01</td> <td></td> <td></td> </tr> <tr> <td></td> <td></td> <td></td> <td></td> <td></td> <td>PCB</td> <td></td> <td>PCB</td> <td></td> <td></td> </tr> </table>	Physical Size Include bracket	(mm)	Length	363.3	Min.	363.8	Typ.	364.3	Max.	364.3			Width	215.4		215.9		216.4					Thickness			10.51		11.01								PCB		PCB																																																
Physical Size Include bracket	(mm)	Length	363.3	Min.	363.8	Typ.	364.3	Max.	364.3																																																																																																																	
		Width	215.4		215.9		216.4																																																																																																																			
Thickness		10.56	11.06																																																																																																																							
Electrical Interface		2 ch LVDS																																																																																																																								
Surface Treatment		Anti-glare, 3H																																																																																																																								
Physical Size Include bracket	(mm)	Length	363.3	Min.	363.8	Typ.	364.3	Max.	364.3																																																																																																																	
		Width	215.4		215.9		216.4																																																																																																																			
		Thickness			10.51		11.01																																																																																																																			
					PCB		PCB																																																																																																																			
		<p>16</p>	<p>5.2 Backlight Unit</p> <p>5.2.1 LED Backlight Unit : Driver Connector</p> <table border="1"> <tr> <td>Connector Name / Designation</td> <td>Lamp Connector</td> </tr> <tr> <td>Manufacturer</td> <td>STM or compatible</td> </tr> <tr> <td>Connector Model Number</td> <td>MSB24038P8D or compatible</td> </tr> <tr> <td>Mating Model Number</td> <td>P24038P5 or compatible</td> </tr> </table> <table border="1"> <tr> <th>Fin No.</th> <th>Symbol</th> <th>Description</th> </tr> <tr> <td>Fin1</td> <td>VLED</td> <td>24V input</td> </tr> <tr> <td>Fin2</td> <td>GND</td> <td>GND</td> </tr> <tr> <td>Fin3</td> <td>VLED_EN</td> <td>SV-ON, DV-OFF</td> </tr> <tr> <td>Fin4</td> <td>VPWM_EN</td> <td>PWM</td> </tr> <tr> <td>Fin5</td> <td>NA</td> <td>NC</td> </tr> </table> <p>5.2.3 Parameter guideline for LED</p> <p>Following characteristics are measured under a stable condition using an inverter at 25°C (Room temperature).</p> <p>LED characteristics</p> <table border="1"> <thead> <tr> <th>Parameter</th> <th>Symbol</th> <th>Min</th> <th>Typ</th> <th>Max</th> <th>Units</th> <th>Condition</th> </tr> </thead> <tbody> <tr> <td>Backlight Power Consumption</td> <td>PLED</td> <td>-</td> <td>25.14</td> <td>30.17</td> <td>[Watt]</td> <td>(Ta=25°C), Note 1, VLED=24V</td> </tr> <tr> <td>LED Life-Time</td> <td></td> <td>N/A</td> <td>50,000</td> <td>-</td> <td>Hour</td> <td>(Ta=25°C), Note 2, 3</td> </tr> </tbody> </table> <p>Note 1: Ta means ambient temperature of TFT-LCD module. Note 2: If G156HAN04.0 module is driven at high ambient temperature & humidity condition. The operating life will be reduced. Note 3: Operating life means brightness goes down to 50% initial brightness. Min. operating life time is estimated.</p>	Connector Name / Designation	Lamp Connector	Manufacturer	STM or compatible	Connector Model Number	MSB24038P8D or compatible	Mating Model Number	P24038P5 or compatible	Fin No.	Symbol	Description	Fin1	VLED	24V input	Fin2	GND	GND	Fin3	VLED_EN	SV-ON, DV-OFF	Fin4	VPWM_EN	PWM	Fin5	NA	NC	Parameter	Symbol	Min	Typ	Max	Units	Condition	Backlight Power Consumption	PLED	-	25.14	30.17	[Watt]	(Ta=25°C), Note 1, VLED=24V	LED Life-Time		N/A	50,000	-	Hour	(Ta=25°C), Note 2, 3	<p>5.2 Backlight Unit</p> <p>5.2.1 LED Backlight Unit : Driver Connector</p> <table border="1"> <tr> <td>Connector Name / Designation</td> <td>Lamp Connector</td> </tr> <tr> <td>Manufacturer</td> <td>STM or compatible</td> </tr> <tr> <td>Connector Model Number</td> <td>MSB24038P8D or compatible</td> </tr> <tr> <td>Mating Model Number</td> <td>P24038P5 or compatible</td> </tr> </table> <table border="1"> <tr> <th>Fin No.</th> <th>Symbol</th> <th>Description</th> </tr> <tr> <td>Fin1</td> <td>VLED</td> <td>12V input</td> </tr> <tr> <td>Fin2</td> <td>VLED</td> <td>12V input</td> </tr> <tr> <td>Fin3</td> <td>VLED</td> <td>12V input</td> </tr> <tr> <td>Fin4</td> <td>GND</td> <td>GND</td> </tr> <tr> <td>Fin5</td> <td>GND</td> <td>GND</td> </tr> <tr> <td>Fin6</td> <td>GND</td> <td>GND</td> </tr> <tr> <td>Fin7</td> <td>VLED_EN</td> <td>SV-ON, DV-OFF</td> </tr> <tr> <td>Fin8</td> <td>VPWM_EN</td> <td>PWM</td> </tr> </table> <p>5.2.3 Parameter guideline for LED</p> <p>Following characteristics are measured under a stable condition using an inverter at 25°C (Room temperature).</p> <p>LED characteristics</p> <table border="1"> <thead> <tr> <th>Parameter</th> <th>Symbol</th> <th>Min</th> <th>Typ</th> <th>Max</th> <th>Units</th> <th>Condition</th> </tr> </thead> <tbody> <tr> <td>Backlight Power Consumption</td> <td>PLED</td> <td>-</td> <td>25.14</td> <td>30.17</td> <td>[Watt]</td> <td>(Ta=25°C), Note 1, VLED=12V</td> </tr> <tr> <td>LED Life-Time</td> <td></td> <td>N/A</td> <td>50,000</td> <td>-</td> <td>Hour</td> <td>(Ta=25°C), Note 2, 3</td> </tr> </tbody> </table> <p>Note 1: Ta means ambient temperature of TFT-LCD module. Note 2: If G156HAN04.0 module is driven at high ambient temperature & humidity condition. The operating life will be reduced. Note 3: Operating life means brightness goes down to 50% initial brightness. Min. operating life time is estimated.</p>	Connector Name / Designation	Lamp Connector	Manufacturer	STM or compatible	Connector Model Number	MSB24038P8D or compatible	Mating Model Number	P24038P5 or compatible	Fin No.	Symbol	Description	Fin1	VLED	12V input	Fin2	VLED	12V input	Fin3	VLED	12V input	Fin4	GND	GND	Fin5	GND	GND	Fin6	GND	GND	Fin7	VLED_EN	SV-ON, DV-OFF	Fin8	VPWM_EN	PWM	Parameter	Symbol	Min	Typ	Max	Units	Condition	Backlight Power Consumption	PLED	-	25.14	30.17	[Watt]	(Ta=25°C), Note 1, VLED=12V	LED Life-Time		N/A	50,000	-	Hour	(Ta=25°C), Note 2, 3															
Connector Name / Designation	Lamp Connector																																																																																																																									
Manufacturer	STM or compatible																																																																																																																									
Connector Model Number	MSB24038P8D or compatible																																																																																																																									
Mating Model Number	P24038P5 or compatible																																																																																																																									
Fin No.	Symbol	Description																																																																																																																								
Fin1	VLED	24V input																																																																																																																								
Fin2	GND	GND																																																																																																																								
Fin3	VLED_EN	SV-ON, DV-OFF																																																																																																																								
Fin4	VPWM_EN	PWM																																																																																																																								
Fin5	NA	NC																																																																																																																								
Parameter	Symbol	Min	Typ	Max	Units	Condition																																																																																																																				
Backlight Power Consumption	PLED	-	25.14	30.17	[Watt]	(Ta=25°C), Note 1, VLED=24V																																																																																																																				
LED Life-Time		N/A	50,000	-	Hour	(Ta=25°C), Note 2, 3																																																																																																																				
Connector Name / Designation	Lamp Connector																																																																																																																									
Manufacturer	STM or compatible																																																																																																																									
Connector Model Number	MSB24038P8D or compatible																																																																																																																									
Mating Model Number	P24038P5 or compatible																																																																																																																									
Fin No.	Symbol	Description																																																																																																																								
Fin1	VLED	12V input																																																																																																																								
Fin2	VLED	12V input																																																																																																																								
Fin3	VLED	12V input																																																																																																																								
Fin4	GND	GND																																																																																																																								
Fin5	GND	GND																																																																																																																								
Fin6	GND	GND																																																																																																																								
Fin7	VLED_EN	SV-ON, DV-OFF																																																																																																																								
Fin8	VPWM_EN	PWM																																																																																																																								
Parameter	Symbol	Min	Typ	Max	Units	Condition																																																																																																																				
Backlight Power Consumption	PLED	-	25.14	30.17	[Watt]	(Ta=25°C), Note 1, VLED=12V																																																																																																																				
LED Life-Time		N/A	50,000	-	Hour	(Ta=25°C), Note 2, 3																																																																																																																				
		<p>17</p>	<p>Backlight input signal characteristics</p> <table border="1"> <thead> <tr> <th>Symbol</th> <th>Parameter</th> <th>Min</th> <th>Typ</th> <th>Max</th> <th>Units</th> <th>Remark</th> </tr> </thead> <tbody> <tr> <td>VLED</td> <td>LED Power Supply</td> <td>22.8</td> <td>24</td> <td>25.2</td> <td>[Volt]</td> <td></td> </tr> <tr> <td>ILED</td> <td>LED Input Current</td> <td>-</td> <td>1.26</td> <td>-</td> <td>[A]</td> <td></td> </tr> <tr> <td rowspan="5">F_{Dim}</td> <td>Dimming Frequency</td> <td>200</td> <td>-</td> <td>20K</td> <td>[Hz]</td> <td></td> </tr> <tr> <td>Swing Voltage</td> <td>3</td> <td>3.3</td> <td>5</td> <td>[Volt]</td> <td>Define as Connector Interface (Ta=25°C)</td> </tr> <tr> <td>High Voltage</td> <td>3</td> <td>3.3</td> <td>5</td> <td>[Volt]</td> <td></td> </tr> <tr> <td>Low Voltage</td> <td>-</td> <td>-</td> <td>0.8</td> <td>[Volt]</td> <td></td> </tr> <tr> <td>Dimming Duty 200Hz~5KHz</td> <td>5</td> <td>-</td> <td>100</td> <td>%</td> <td></td> </tr> <tr> <td></td> <td>Dimming Duty 5KHz~20KHz</td> <td>15</td> <td>-</td> <td>100</td> <td>%</td> <td></td> </tr> </tbody> </table> <p>Note 1: Recommended system pull up/down resistor no bigger than 10kohm.</p>	Symbol	Parameter	Min	Typ	Max	Units	Remark	VLED	LED Power Supply	22.8	24	25.2	[Volt]		ILED	LED Input Current	-	1.26	-	[A]		F _{Dim}	Dimming Frequency	200	-	20K	[Hz]		Swing Voltage	3	3.3	5	[Volt]	Define as Connector Interface (Ta=25°C)	High Voltage	3	3.3	5	[Volt]		Low Voltage	-	-	0.8	[Volt]		Dimming Duty 200Hz~5KHz	5	-	100	%			Dimming Duty 5KHz~20KHz	15	-	100	%		<p>Backlight input signal characteristics</p> <table border="1"> <thead> <tr> <th>Symbol</th> <th>Parameter</th> <th>Min</th> <th>Typ</th> <th>Max</th> <th>Units</th> <th>Remark</th> </tr> </thead> <tbody> <tr> <td>VLED</td> <td>LED Power Supply</td> <td>10.8</td> <td>12</td> <td>13.2</td> <td>[Volt]</td> <td></td> </tr> <tr> <td>ILED</td> <td>LED Input Current</td> <td>-</td> <td>2.52</td> <td>-</td> <td>[A]</td> <td></td> </tr> <tr> <td rowspan="5">F_{Dim}</td> <td>Dimming Frequency</td> <td>200</td> <td>-</td> <td>20K</td> <td>[Hz]</td> <td></td> </tr> <tr> <td>Swing Voltage</td> <td>3</td> <td>3.3</td> <td>5</td> <td>[Volt]</td> <td>Define as Connector Interface (Ta=25°C)</td> </tr> <tr> <td>High Voltage</td> <td>3</td> <td>3.3</td> <td>5</td> <td>[Volt]</td> <td></td> </tr> <tr> <td>Low Voltage</td> <td>-</td> <td>-</td> <td>0.8</td> <td>[Volt]</td> <td></td> </tr> <tr> <td>Dimming Duty 200Hz~5KHz</td> <td>5</td> <td>-</td> <td>100</td> <td>%</td> <td></td> </tr> <tr> <td></td> <td>Dimming Duty 5KHz~20KHz</td> <td>15</td> <td>-</td> <td>100</td> <td>%</td> <td></td> </tr> </tbody> </table> <p>Note 1: Recommended system pull up/down resistor no bigger than 10kohm.</p>	Symbol	Parameter	Min	Typ	Max	Units	Remark	VLED	LED Power Supply	10.8	12	13.2	[Volt]		ILED	LED Input Current	-	2.52	-	[A]		F _{Dim}	Dimming Frequency	200	-	20K	[Hz]		Swing Voltage	3	3.3	5	[Volt]	Define as Connector Interface (Ta=25°C)	High Voltage	3	3.3	5	[Volt]		Low Voltage	-	-	0.8	[Volt]		Dimming Duty 200Hz~5KHz	5	-	100	%			Dimming Duty 5KHz~20KHz	15	-	100	%	
Symbol	Parameter	Min	Typ	Max	Units	Remark																																																																																																																				
VLED	LED Power Supply	22.8	24	25.2	[Volt]																																																																																																																					
ILED	LED Input Current	-	1.26	-	[A]																																																																																																																					
F _{Dim}	Dimming Frequency	200	-	20K	[Hz]																																																																																																																					
	Swing Voltage	3	3.3	5	[Volt]	Define as Connector Interface (Ta=25°C)																																																																																																																				
	High Voltage	3	3.3	5	[Volt]																																																																																																																					
	Low Voltage	-	-	0.8	[Volt]																																																																																																																					
	Dimming Duty 200Hz~5KHz	5	-	100	%																																																																																																																					
	Dimming Duty 5KHz~20KHz	15	-	100	%																																																																																																																					
Symbol	Parameter	Min	Typ	Max	Units	Remark																																																																																																																				
VLED	LED Power Supply	10.8	12	13.2	[Volt]																																																																																																																					
ILED	LED Input Current	-	2.52	-	[A]																																																																																																																					
F _{Dim}	Dimming Frequency	200	-	20K	[Hz]																																																																																																																					
	Swing Voltage	3	3.3	5	[Volt]	Define as Connector Interface (Ta=25°C)																																																																																																																				
	High Voltage	3	3.3	5	[Volt]																																																																																																																					
	Low Voltage	-	-	0.8	[Volt]																																																																																																																					
	Dimming Duty 200Hz~5KHz	5	-	100	%																																																																																																																					
	Dimming Duty 5KHz~20KHz	15	-	100	%																																																																																																																					

		20	<p>6.2.2 Connector Illustration^(*)</p> <p>LVDS (CN1): BLU Power in (CN2):</p>	<p>6.2.2 Connector Illustration^(*)</p> <p>LVDS (CN1): BLU Power in (CN2):</p>
		25		<p>* 8. Mechanical Characteristics</p> <p>8.1 LCM Outline Dimension (Front View)</p>
		26	<p>8.2 LCM Outline Dimension (Rear View)</p>	<p>8.2 LCM Outline Dimension (Rear View)</p>

Handling Precautions

- 1) Since front polarizer is easily damaged, please be cautious and not to scratch it.
- 2) Be sure to turn off power supply when inserting or disconnecting from input connector.
- 3) Wipe off water drop immediately. Long contact with water may cause discoloration or spots.
- 4) When the panel surface is soiled, wipe it with absorbent cotton or soft cloth.
- 5) Since the panel is made of glass, it may be broken or cracked if dropped or bumped on hard surface.
- 6) To avoid ESD (Electro Static Discharge) damage, be sure to ground yourself before handling TFT-LCD Module.
- 7) Do not open nor modify the module assembly.
- 8) Do not press the reflector sheet at the back of the module to any direction.
- 9) In case if a module has to be put back into the packing container slot after it was taken out from the container, do not press the center of the LED light bar edge. Instead, press at the far ends of the LED light bar edge softly. Otherwise the TFT Module may be damaged.
- 10) At the insertion or removal of the Signal Interface Connector, be sure not to rotate nor tilt the Interface Connector of the TFT Module.
- 11) TFT-LCD Module is not allowed to be twisted & bent even force is added on module in a very short time. Please design your display product well to avoid external force applying to module by end-user directly.
- 12) Small amount of materials having no flammability grade is used in the LCD module. The LCD module should be supplied by power complied with requirements of Limited Power Source (IEC60950 or UL1950), or be applied exemption.
- 13) Severe temperature condition may result in different luminance, response time and lamp ignition voltage.
- 14) Continuous operating TFT-LCD display under low temperature environment may accelerate lamp exhaustion and reduce luminance dramatically.
- 15) The data on this specification sheet is applicable when LCD module is placed in landscape position.
- 16) Continuous displaying fixed pattern may induce image sticking. It's recommended to use screen saver or shuffle content periodically if fixed pattern is displayed on the screen.

2. General Description

G156HAN04.0 is a Color Active Matrix Liquid Crystal Display composed of a TFT LCD panel, a driver circuit, and LED backlight system. The screen format is intended to support the 16:9 FHD, 1920(H) x 1080(V) screen and 16.7M colors (RGB 8-bits) with LED backlight driving circuit. All input signals are LVDS interface compatible.

G156HAN04.0 is designed for a display unit of notebook style personal computer and industrial machine.



2.1 General Specification

The following items are characteristics summary on the table at 25 °C condition:

Items	Unit	Specifications			
Screen Diagonal	[mm]	15.6"			
Active Area	[mm]	344.16 x 193.59			
Resolution		1920 x 3(RGB) x 1080			
Pixel Pitch	[mm]	0.17925 x 0.17925			
Pixel Arrangement		R.G.B. Vertical Stripe			
Display Mode		AHVA, Normally Black			
Nominal Input Voltage VDD	[Volt]	+3.3 (Typ.)			
LCD Power Consumption	[Watt]	2.11 (Max.)			
Backlight Power Consumption	[Watt]	30.17 (Max.)			
Weight	[Grams]	850 (Max)			
Physical Size Include bracket	[mm]		Min.	Typ.	Max.
		Length	363.3	363.8	364.3
		Width	215.4	215.9	216.4
		Thickness		10.51 PCB	11.01 PCB
Electrical Interface		2 ch LVDS			
Surface Treatment		Anti-glare, 3H			
Support Color		16.7M colors (RGB 8-bits)			
Temperature Range					
Operating	[°C]	-30 to +85 (*Panel Surface)			
Storage (Non-Operating)	[°C]	-30 to +85			
RoHS Compliance		Yes			

2.2 Optical Characteristics

The optical characteristics are measured under stable conditions at 25°C (Room Temperature) :

Item	Unit	Conditions	Min.	Typ.	Max.	Note	
White Luminance	cd/m ²	I _{LED} =70mA Center average	800	1000	-	1, 2	
Luminance Uniformity	%	9 Points	75	80		1, 2, 3	
Contrast Ratio	--		700	1000	-	1, 4	
Response Time	msec	Rising + Falling	-	25	35	1, 5	
Viewing Angle	degree	Horizontal (Right)	80	89	-	1, 6	
		(Left)	80	89	-		
		Vertical (Upper)	80	89	-		
		(Lower)	80	89	-		
Color / Chromaticity Coordinates (CIE 1931)	Red	Rx	CIE 1931	0.605	0.655	0.705	4
		Ry		0.282	0.332	0.382	
	Green	Gx		0.248	0.298	0.348	
		Gy		0.567	0.617	0.667	
	Blue	Bx		0.097	0.147	0.197	
		By		0.012	0.062	0.112	
	White	Wx		0.263	0.313	0.363	
		Wy		0.279	0.329	0.379	
Color Gamut	%		-	72	-		

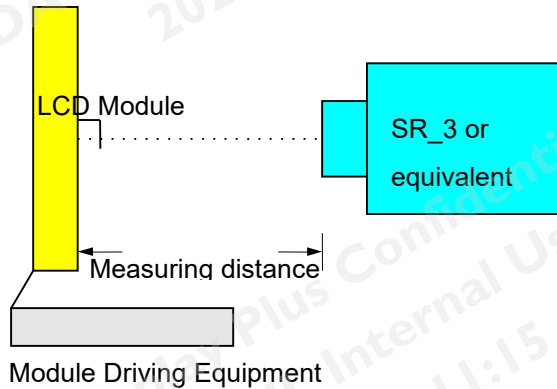
Note 1: Measurement method

Equipment Pattern Generator, Power Supply, Digital Voltmeter, Luminance meter (SR_3 or equivalent)

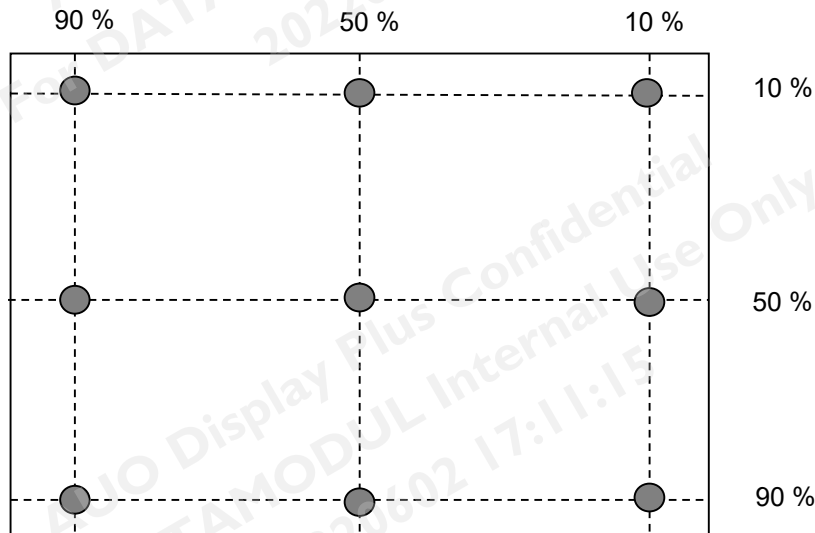
Aperture 1° with 50cm viewing distance

Test Point Center

Environment < 1 lux



Note 2: 9 points position



Note 3: The luminance uniformity of 9 points is defined by dividing the maximum luminance values by the minimum test point luminance. And measured by TOPCON SR-3

$$\delta w_9 = \frac{\text{Minimum Luminance of 9 points}}{\text{Maximum Luminance of 9 points}}$$

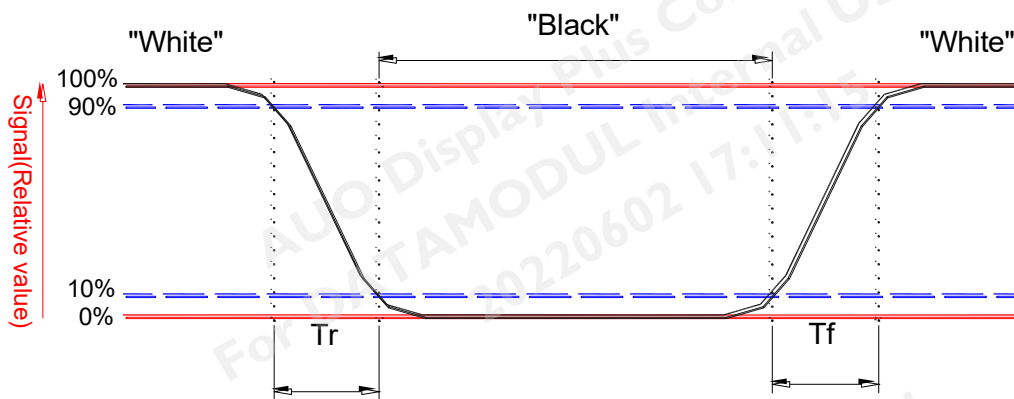
Note 4 : Definition of contrast ratio:

Contrast ratio is calculated with the following formula.

$$\text{Contrast ratio (CR)} = \frac{\text{Brightness on the "White" state}}{\text{Brightness on the "Black" state}}$$

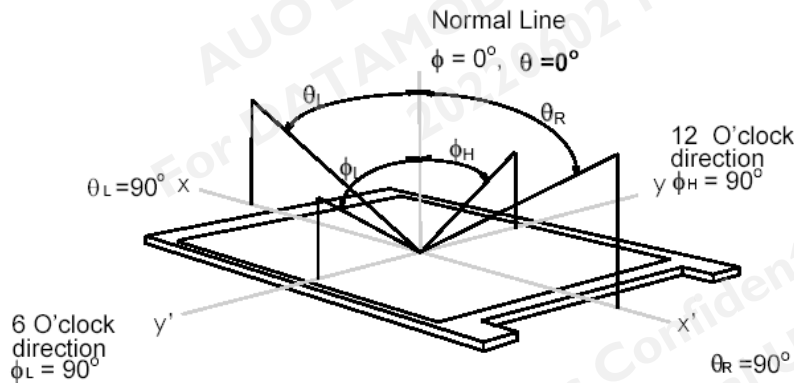
Note 5: Definition of response time:

The output signals of BM-7 or equivalent are measured when the input signals are changed from "Black" to "White" (falling time) and from "White" to "Black" (rising time), respectively. The response time interval between the 10% and 90% of amplitudes. Refer to figure as below.



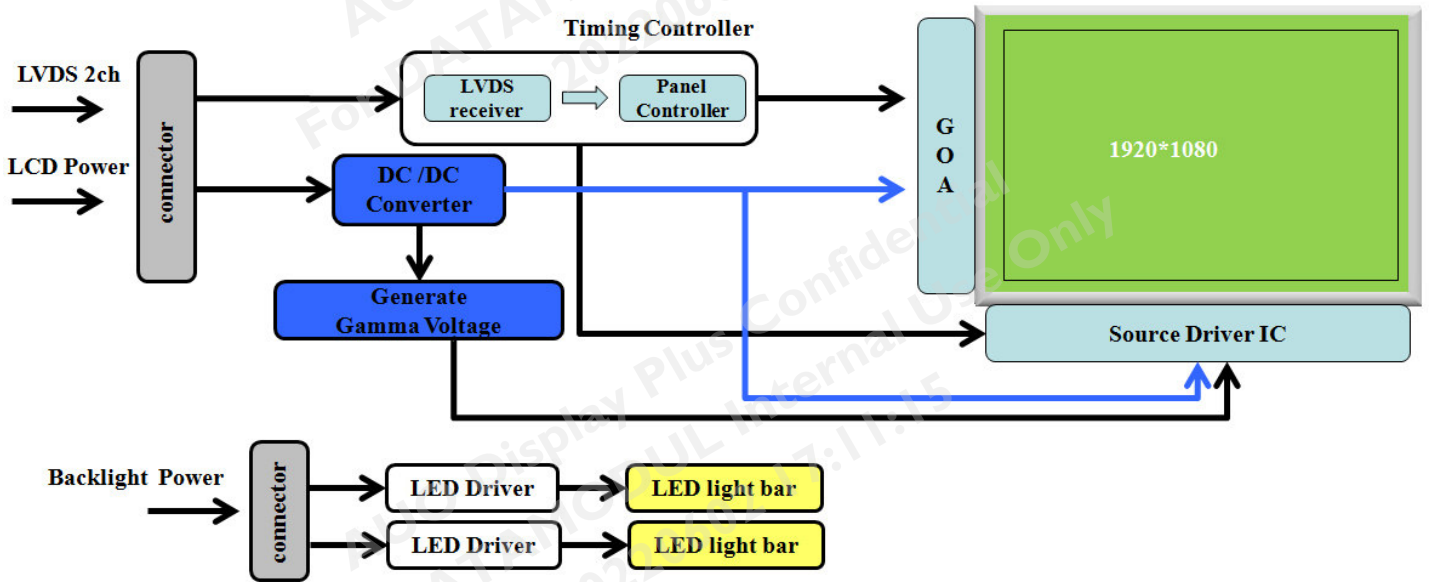
Note 6:. Definition of viewing angle

Viewing angle is the measurement of contrast ratio ≥ 10 , at the screen center, over a 180° horizontal and 180° vertical range (off-normal viewing angles). The 180° viewing angle range is broken down as follows; 90° (θ) horizontal left and right and 90° (ϕ) vertical, high (up) and low (down). The measurement direction is typically perpendicular to the display surface with the screen rotated about its center to develop the desired measurement viewing angle.



3. Functional Block Diagram

The following diagram shows the functional block of the 15.6 inches wide Color TFT/LCD module.



4. Absolute Maximum Ratings

An absolute maximum rating of the module is as following:

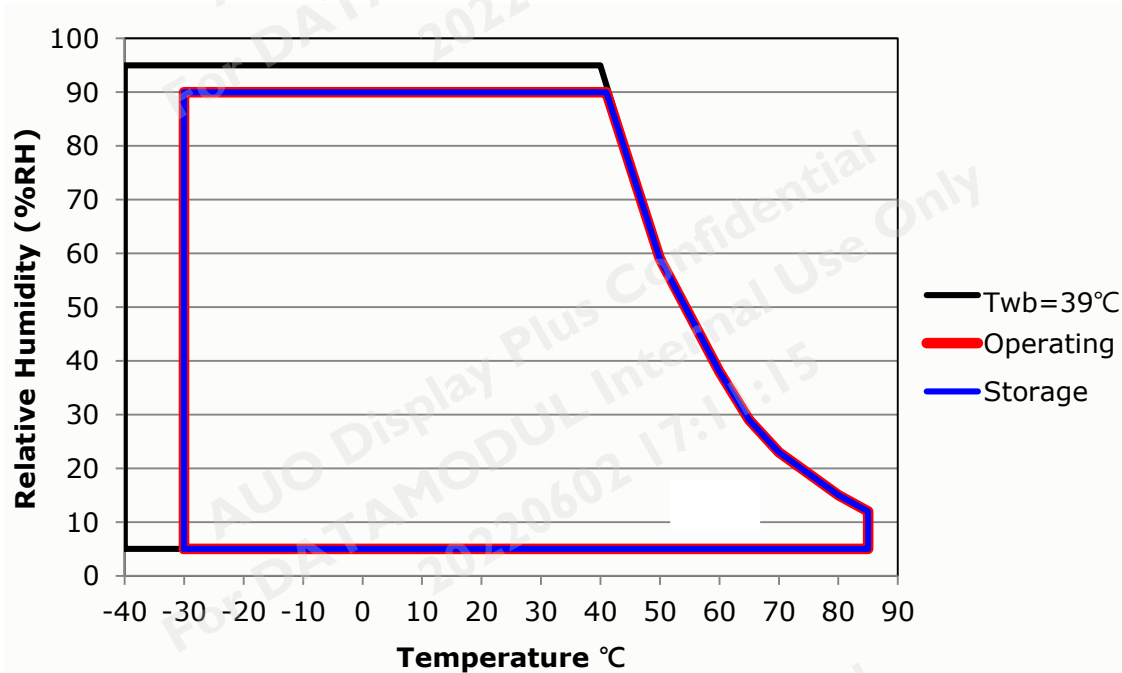
4.1 Absolute Ratings of TFT LCD Module

Item	Symbol	Min	Max	Unit
Logic/LCD Drive	VDD	-0.3	+4.0	[Volt]

4.2 Absolute Ratings of Environment

Item	Symbol	Min	Max	Unit
Operating	TOP	-30	+85	[°C]
Operation Humidity	HOP	5	90	[%RH]
Storage Temperature	TST	-30	+85	[°C]
Storage Humidity	HST	5	90	[%RH]

Note: Maximum Wet-Bulb should be 39 °C and no condensation.



5. Electrical Characteristics

5.1 TFT LCD Module

5.1.1 Power Specification

Input power specifications are as follows;

The power specification are measured under 25°C and frame frequency under 60Hz

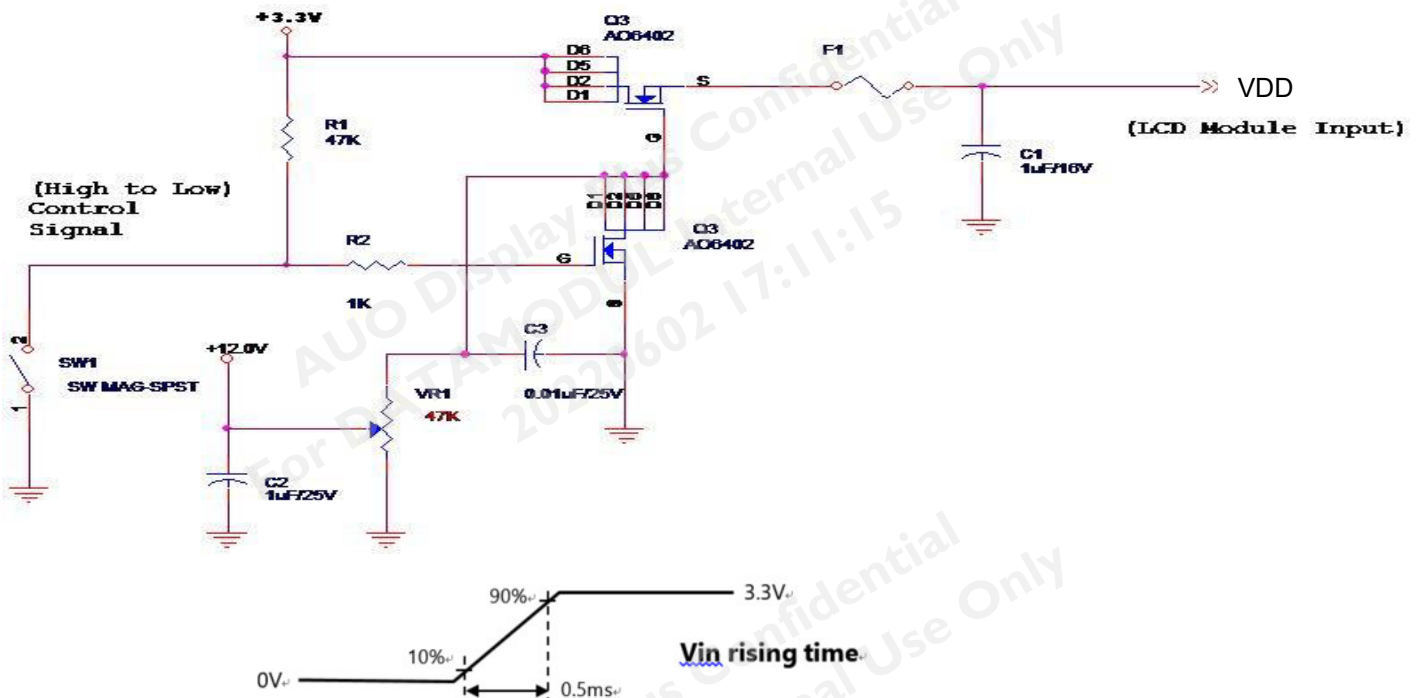
Symble	Parameter	Min	Typ	Max	Units	Remark
VDD	Logic/LCD Drive Voltage	3.0	3.3	3.6	[Volt]	
PDD	VDD Power	-	1.75	2.11	[Watt]	All White Pattern (VDD=3.3V, at 60Hz) Note 1
IDD	IDD Current	-	0.53	0.64	[A]	All White Pattern (VDD=3.3V, at 60Hz) Note 2
IRush	Inrush Current	-	-	2000	[mA]	Note 1
VDDrp	Allowable Logic/LCD Drive Ripple Voltage	-	-	100	[mV] p-p	All White Pattern (VDD=3.3V, at 60Hz)

Note 1 : Maximum Measurement Condition : White Pattern at 3.3V driving voltage. ($P_{max}=V_{3.3} \times I_{white}$)

Typical Measurement Condition: Mosaic Pattern

Note 2 : Current fuse is built in a module. Current capacity of power supply for VDD should be larger than 1.5A, so that the fuse can be opened at the trouble of electrical circuit of module.

Note 3 : Measure Condition



5.1.2 LVDS DC Signal Electrical Characteristics

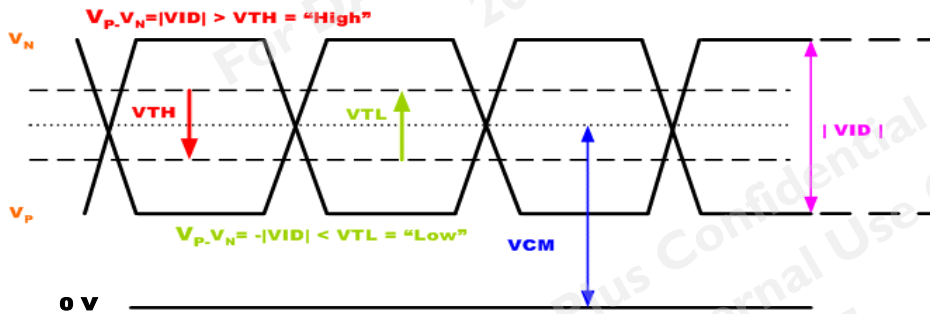
Input signals shall be low or High-impedance state when VDD is off.

Symbol	Item	Min.	Typ.	Max.	Unit	Remark
VTH	Differential Input High Threshold			+100	[mV]	VCM=1.2V
VTL	Differential Input Low Threshold	-100			[mV]	VCM=1.2V
VID	Input Differential Voltage	100		600	[mV]	
VICM	Differential Input Common Mode Voltage	1.0	1.2	1.5	[V]	VTH/VTL=+-100mV

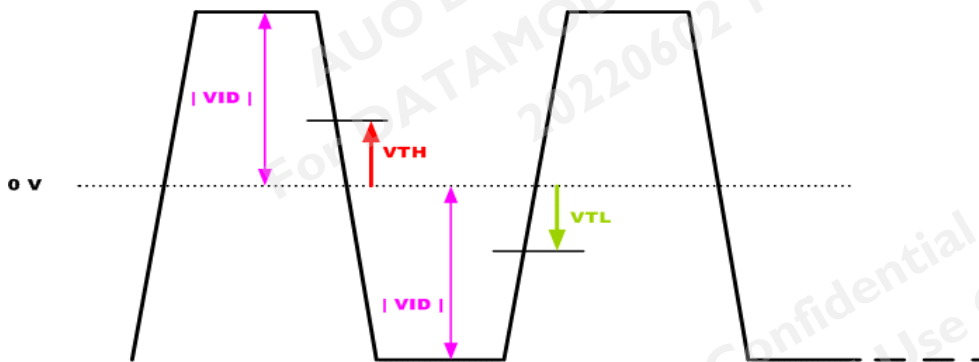
Note: LVDS Signal Waveform.

$V_P - V_N = |VID| > V_{TH} = \text{"High"}$
 $V_P - V_N = -|VID| < V_{TL} = \text{"Low"}$

Single-end Signal



Differential Signal



5.2 Backlight Unit

5.2.1 LED Backlight Unit : Driver Connector

Connector Name / Designation	Lamp Connector
Manufacturer	STM or compatible
Connector Model Number	MSB24038P8D or compatible
Mating Model Number	P24038P8 or compatible

Pin No.	Symbol	Description
Pin1	VLED	12V input
Pin2	VLED	12V input
Pin3	VLED	12V input
Pin4	GND	GND
Pin5	GND	GND
Pin6	GND	GND
Pin7	VLED_EN	5V-ON,0V-OFF
Pin8	VPWM_EN	PWM

5.2.3 Parameter guideline for LED

Following characteristics are measured under a stable condition using an inverter at 25°C (Room temperature):

LED characteristics

Parameter	Symbol	Min	Typ	Max	Units	Condition
Backlight Power Consumption	PLED	-	25.14	30.17	[Watt]	(Ta=25°C), Note 1 VLED =12V
LED Life-Time	N/A	50,000	-	-	Hour	(Ta=25°C), Note 2,3

Note 1: Ta means ambient temperature of TFT-LCD module.

Note 2: If G156HAN04.0 module is driven at high ambient temperature & humidity condition. The operating life will be reduced.

Note 3: Operating life means brightness goes down to 50% initial brightness. Min. operating life time is estimated data.



Backlight input signal characteristics

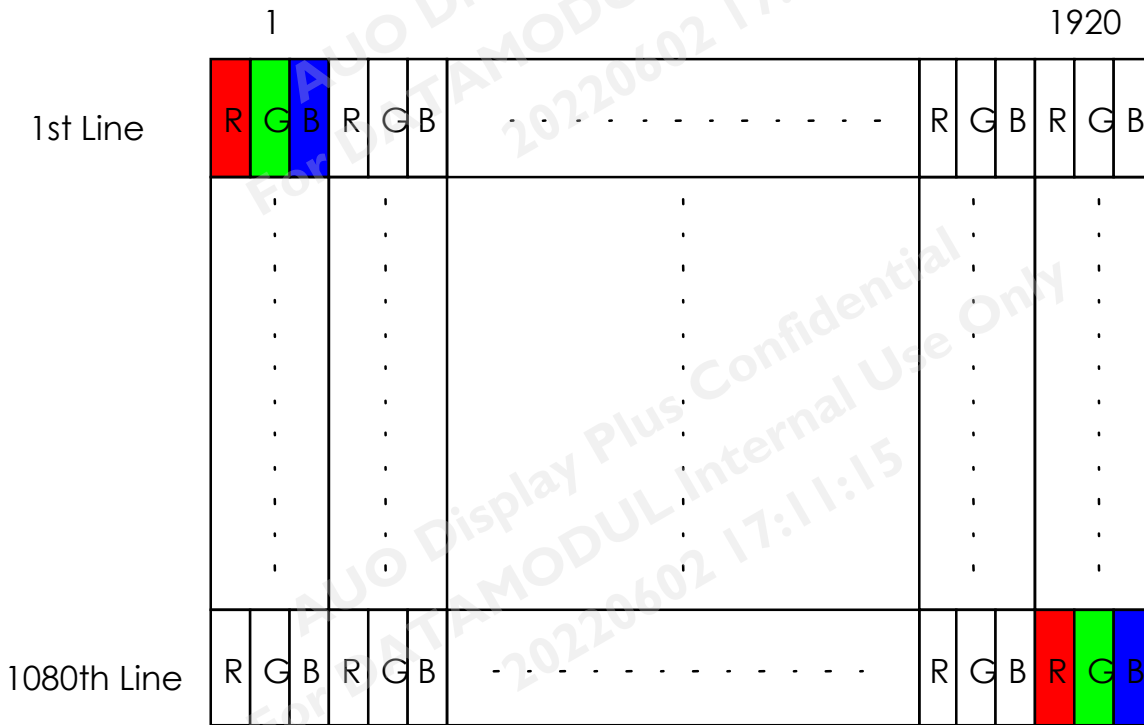
Symbol	Parameter	Min	Typ	Max	Units	Remark
VLED	LED Power Supply	10.8	12	13.2	[Volt]	Define as Connector Interface (Ta=25°C)
ILED	LED Input Current		2.52		[A]	
FPWM	Dimming Frequency	200		20K	[Hz]	
	Swing Voltage	3	3.3	5	[Volt]	
	High Voltage	3	3.3	5	[Volt]	
	Low Voltage			0.8	[Volt]	
	Dimming Duty 200Hz~5KHZ	5		100	%	
Dimming Duty 5KHz~20KHZ	15		100	%		

Note 1 : Recommended system pull up/down resistor no bigger than 10kohm.

6. Signal Interface Characteristic

6.1 Pixel Format Image

Following figure shows the relationship of the input signals and LCD pixel format.



6. 2 Signal Description

The module uses a LVDS receiver embedded in AUO's ASIC. LVDS is a differential signal technology for LCD interface and a high-speed data transfer device.

6.2.1 TFT LCD Module: LVDS Connector

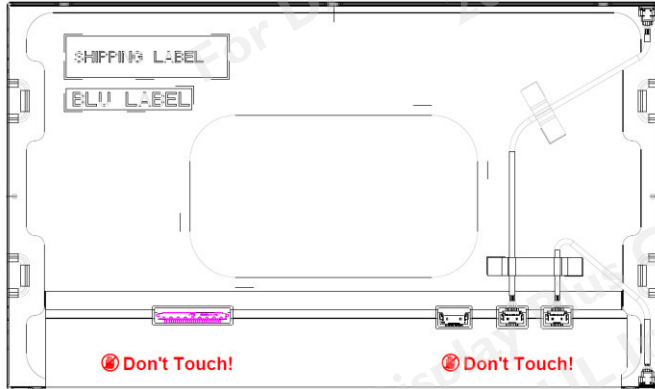
TFT-LCD Connector	Manufacturer	P-TWO	STM
	Part Number	187034-3009	MSBKT2407P30HB
Mating Connector	Manufacturer	JAE or Equivalent	
	Part Number	FI-X30HL (Locked Type)	

PIN #	Symbol	Description	Remark
1	RxO0-	Negative LVDS differential data input (Odd data)	
2	RxO0+	Positive LVDS differential data input (Odd data)	
3	RxO1-	Negative LVDS differential data input (Odd data)	
4	RxO1+	Positive LVDS differential data input (Odd data)	
5	RxO2-	Negative LVDS differential data input (Odd data)	
6	RxO2+	Positive LVDS differential data input (Odd data)	
7	GND	Ground	
8	RxOCLK-	Negative LVDS differential clock input (Odd clock)	
9	RxOCLK+	Positive LVDS differential clock input (Odd clock)	
10	RxO3-	Negative LVDS differential data input (Odd data)	
11	RxO3+	Positive LVDS differential data input (Odd data)	
12	RxE0-	Negative LVDS differential data input (Even data)	
13	RxE0+	Positive LVDS differential data input (Even data)	
14	GND	Ground	
15	RxE1-	Negative LVDS differential data input (Even data)	
16	RxE1+	Positive LVDS differential data input (Even data)	
17	GND	Ground	
18	RxE2-	Negative LVDS differential data input (Even data)	
19	RxE2+	Positive LVDS differential data input (Even data)	
20	RxECLK-	Negative LVDS differential clock input (Even clock)	
21	RxECLK+	Positive LVDS differential clock input (Even clock)	
22	RxE3-	Negative LVDS differential data input (Even data)	
23	RxE3+	Positive LVDS differential data input (Even data)	
24	GND	Must Connect to GND	
25	NC	No connection (for AUO test only. Do not connect)	
26	NC	No connection (for AUO test only. Do not connect)	
27	NC	No connection (for AUO test only. Do not connect)	

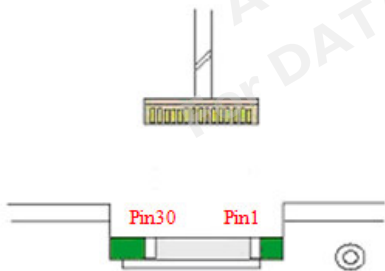
28	VDD	Power Supply Input Voltage	
29	VDD	Power Supply Input Voltage	
30	VDD	Power Supply Input Voltage	

Note 1: Input signals shall be low or High-impedance state when VDD is off.

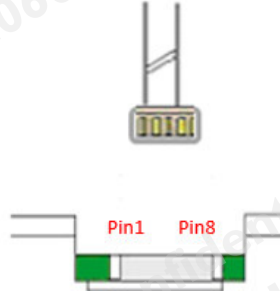
6.2.2 Connector Illustration



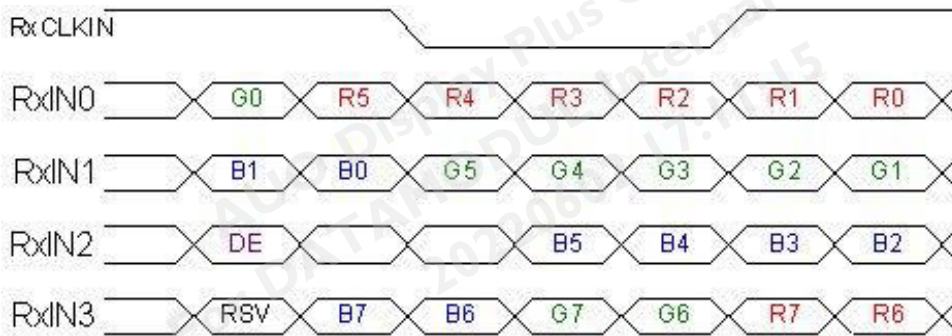
LVDS (CN1):



BLU Power in (CN2):



6.3 The Input Data Format



Note1: Please follow PSWG.

Note2: R/G/B data 7:MSB, R/G/B data 0:LSB

Signal Name	Description	Remark
R7	Red Data 7	Red-pixel Data 8Bits LVDS input MSB: R7 ; LSB: R0
R6	Red Data 6	
R5	Red Data 5	
R4	Red Data 4	
R3	Red Data 3	
R2	Red Data 2	
R1	Red Data 1	
R0	Red Data 0	
G7	Green Data 7	Green-pixel Data 8Bits LVDS input MSB: G7 ; LSB: G0
G6	Green Data 6	
G5	Green Data 5	
G4	Green Data 4	
G3	Green Data 3	
G2	Green Data 2	
G1	Green Data 1	
G0	Green Data 0	
B7	Blue Data 7	Blue-pixel Data 8Bits LVDS input MSB: B7 ; LSB: B0
B6	Blue Data 6	
B5	Blue Data 5	
B4	Blue Data 4	
B3	Blue Data 3	
B2	Blue Data 2	
B1	Blue Data 1	
B0	Blue Data 0	
RxCLKIN	LVDS Data Clock	
DE	Data Enable Signal	When the signal is high, the pixel data shall be valid to be displayed.

Note: Output signals from any system shall be low state or High-impedance state when VDD is off.

6.4 Interface Timing

6.4.1 Timing Characteristics

Basically, interface timings should match the 1920x1080 /60Hz manufacturing guide line timing.

Parameter	Symbol	Min.	Typ.	Max.	Unit	
Frame Rate	-	-	60	-	Hz	
Clock frequency	$1/T_{Clock}$	68.5	70.5	73	MHz	
Vertical Section	Period	T_V	1104	1116	1080+A	T_{Line}
	Active	T_{VD}	1080			
	Blanking	T_{VB}	24	36	A	
Horizontal Section	Period	T_H	1050	1052	960+B	T_{Clock}
	Active	T_{HD}	960			
	Blanking	T_{HB}	90	92	B	

Note1 : The above is as optimized setting

Note2 : The maximum clock frequency = $[(960 + B) * (1080 + A) * 60] < 74.5\text{MHz}$

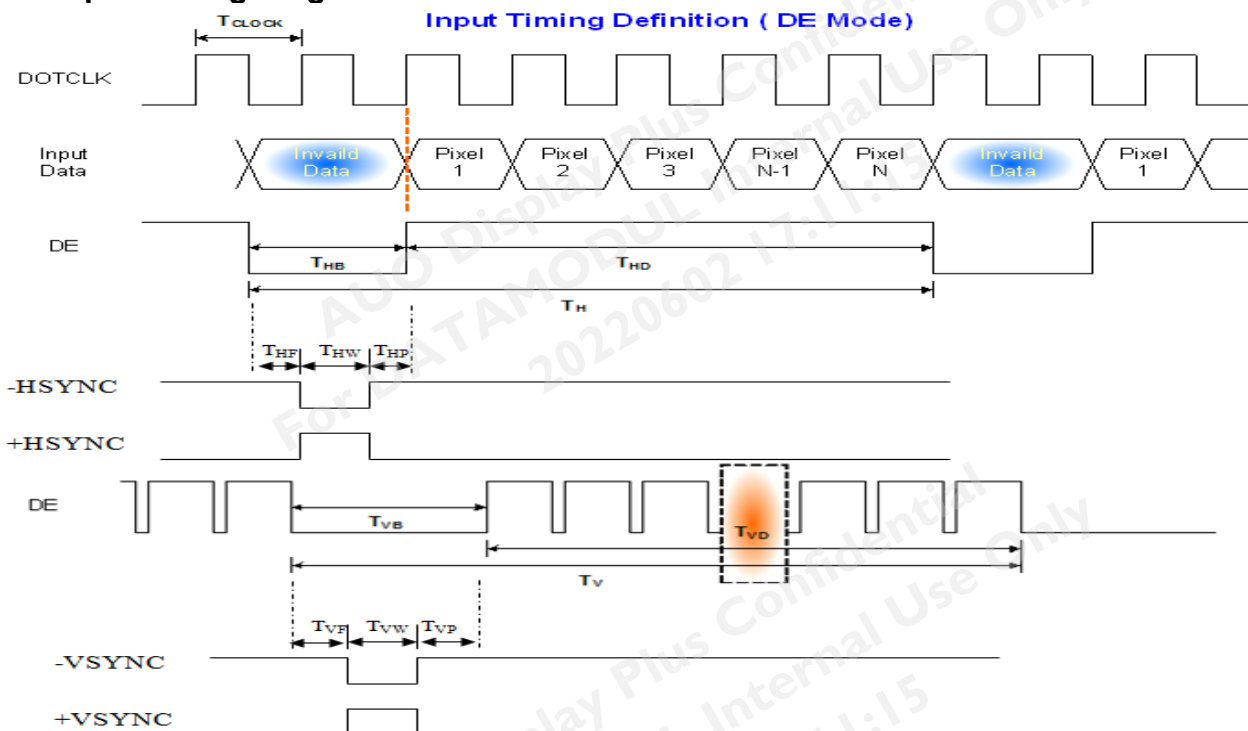
Note3 : Horizontal related parameters must be constant without variation(H_Sync_Width(T_{HW}), H_Front_Porch(T_{HF}) and H_Back_Porch(T_{HP}) must be constant on each scan line).

Note4 : On vertical blank area, H_Sync_Width (T_{HW})and H_Total(T_H) must be same as on the V_Active area.

Note5 : Vertical related parameters must be constant without variation.(V_Sync_Width(T_{VW}), V_Front_Porch(T_{VF}) and V_Back_Porch(T_{VP}) must be constant on each video field).

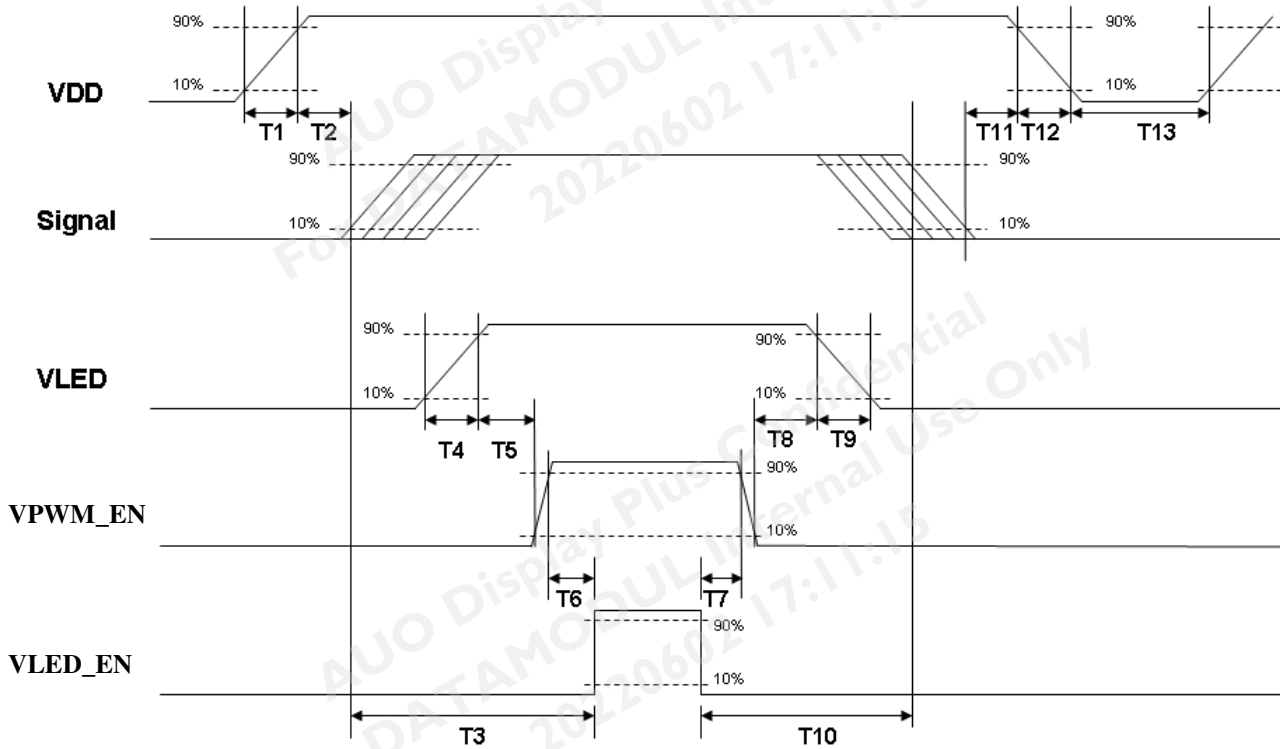
Note6 : The DE timings also must be constant without variation(H/V timing requirements are as same as previous. Blank timing must also be constant).

6.4.2 Input Timing Diagram



6.5 Power ON/OFF Sequence

VDD power and lamp on/off sequence is as below. Interface signals are also shown in the chart. Signals from any system shall be High-impedance state or low level when VDD is off.



Power ON/OFF sequence timing

Parameter	Value			Units
	Min.	Typ.	Max.	
T1	0.5	--	10	[ms]
T2	30	40	50	[ms]
T3	200	--	--	[ms]
T4	0.5	--	10	[ms]
T5	10	--	--	[ms]
T6	10	--	--	[ms]
T7	0	--	--	[ms]
T8	10	--	--	[ms]
T9	--	--	10	[ms]
T10	110	--	--	[ms]
T11	0	16	50	[ms]
T12	--	--	10	[ms]
T13	1000	--	--	[ms]

The above on/off sequence should be applied to avoid abnormal function in the display. Please make sure to turn off the power when you plug the cable into the input connector or pull the cable out of the connector.

7. Panel Reliability Test

Items	Required Condition	Note
Temperature Humidity Bias	Ta= 40°C, 90%RH, 300h	Note 2
High Temperature Operation	Ta= 85°C (*Panel Surface), Dry, 300h	
Low Temperature Operation	Ta= -30°C, 300h	
High Temperature Storage	Ta= 85°C, 300h	
Low Temperature Storage	Ta= -30°C, 300h	
Thermal Shock Test	Ta= -20°C to 60°C, Duration at 30 min, 100 cycles	
Vibration	Test method: Non-Operation Acceleration: 1.5 G Frequency: 10 - 200 -10Hz Sweep: Sine wave vibration; 30 minutes each axis (X, Y, Z)	
Mechanical Shock	Test method: Non-Operation Acceleration: 50 G; Wave: Half-sine Active time: 20 ms Direction: ±X,±Y,±Z (one time for each axis)	
Drop Test	Height: 61 cm, package test	
ESD	Contact : ±8 KV Air : ±15 KV	Note 1

Note 1: According to EN 61000-4-2 , ESD class B: Some performance degradation allowed. Self-recoverable. No data lost, No hardware failures.

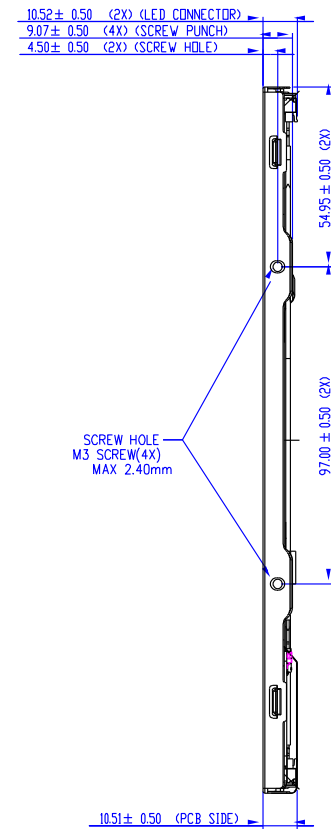
Note 2:

- Water condensation is not allowed for each test items.
- Each test is done by new TFT-LCD module. Don't use the same TFT-LCD module repeatedly for reliability test.
- The reliability test is performed only to examine the TFT-LCD module capability.
- To inspect TFT-LCD module after reliability test, please store it at room temperature and room humidity for 24 hours at least in advance.
- No function failure occurs. Mura shall be ignored after high temperature reliability test

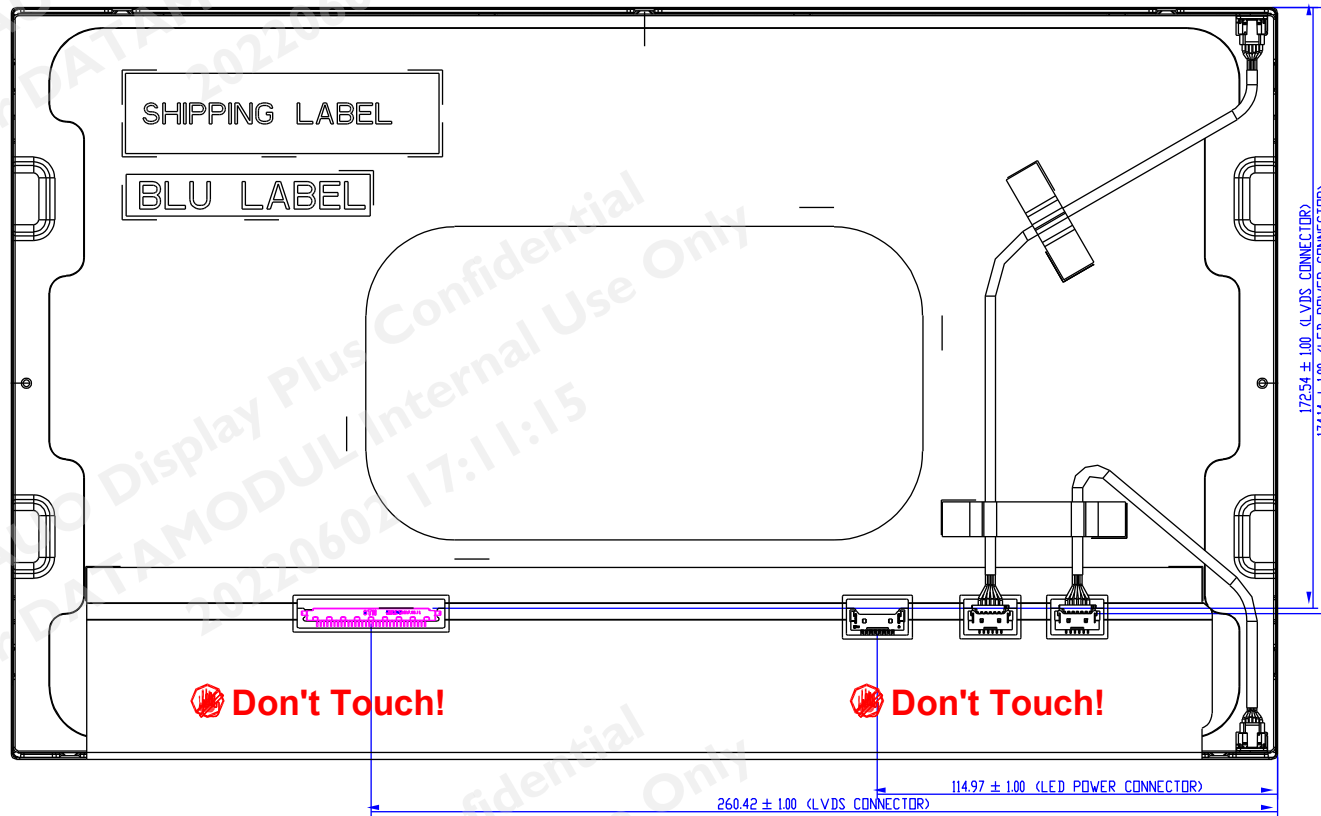


8. Mechanical Characteristics

8.1 LCM Outline Dimension (Front View)



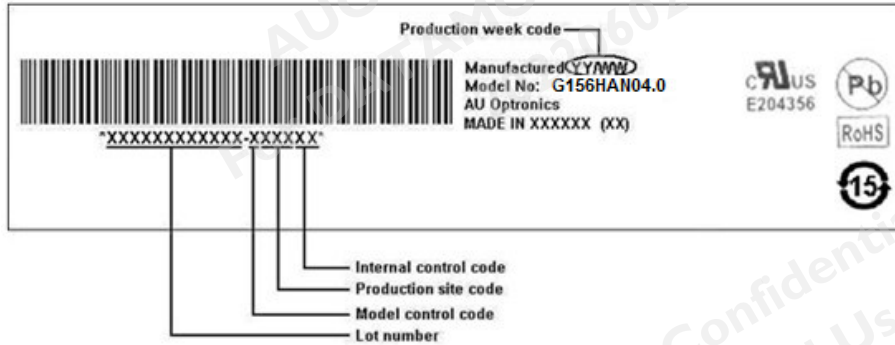
8.2 LCM Outline Dimension (Rear View)






9. Label and Packaging

9.1 Shipping Label (on the rear side of TFT-LCD display)



Note 1: For Pb Free products, AUO will add  for identification.

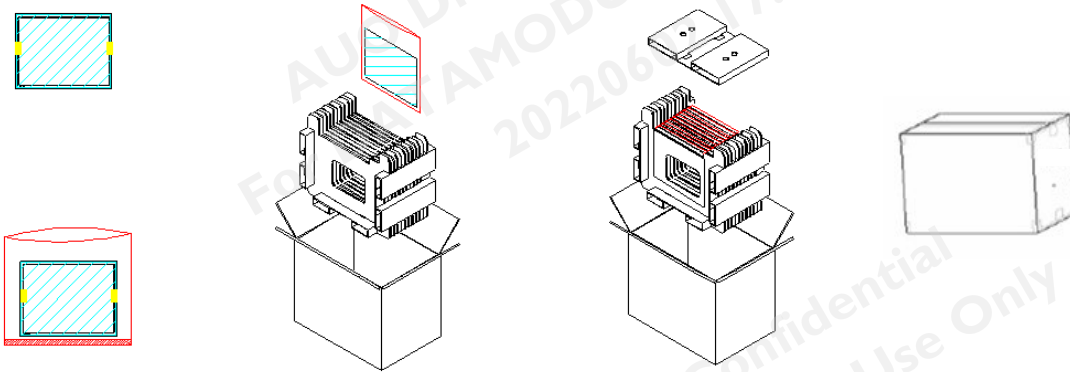
Note 2: For RoHS compatible products, AUO will add  for identification.

Note 3: For China RoHS compatible products, AUO will add  for identification.

Note 4: The Green Mark will be presented only when the green documents have been ready by AUO Internal Green Team.



9.2 Carton Package



Max capacity : 16 TFT-LCD module per carton

Max weight: 13.2 Kg per carton

Outside dimension of carton: 450mm(L)*375mm(W)*319mm(H)

Pallet size : 1150 mm * 910 mm * 132mm

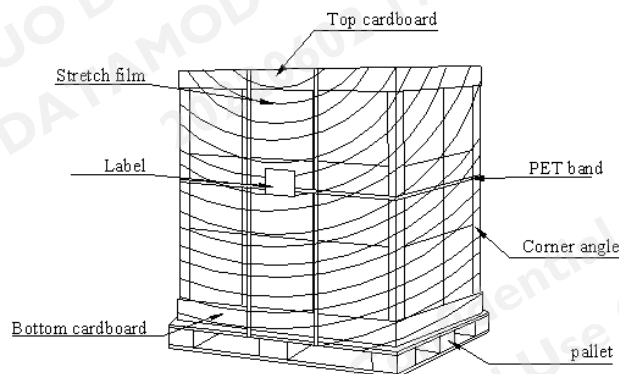
Box stacked

Module by air : (2 *3) *4 layers , one pallet put 24 boxes , total 384pcs module

Module by sea : (2 *3) *4 layers+(2 *3) *1 layers , two pallet put 30 boxes , total 480pcs module

Module by sea_HQ : (2 *3) *4 layers+(2 *3) *2 layers , two pallet put 42 boxes , total 576 pcs module

9.3 Shipping Package of Palletizing Sequence





10. Safety

10.1 Sharp Edge Requirements

There will be no sharp edges or comers on the display assembly that could cause injury.

10.2 Materials

10.2.1 Toxicity

There will be no carcinogenic materials used anywhere in the display module. If toxic materials are used, they will be reviewed and approved by the responsible AUO toxicologist.

10.2.2 Flammability

All components including electrical components that do not meet the flammability grade UL94-V1 in the module will complete the flammability rating exception approval process. The printed circuit board will be made from material rated 94-V1 or better. The actual UL flammability rating will be printed on the printed circuit board.

10.3 Capacitors

If any polarized capacitors are used in the display assembly, provisions will be made to keep them from being inserted backwards.

10.4 National Test Lab Requirement

The display module will satisfy all requirements for compliance to:

UL 62368-1

U.S.A. Information Technology Equipment



11. Handling guide

This is a LCD model, and please be cautious when pulling it out of package or assembling it onto platform. Careless handlings, e.g. twist, bending, pressing, or collision, will result malfunction of LCD models.

(1) Handling method notice



Do not lift and hold the panel with Single hand at right or left side from tray.



Lift and hold the panel up with both hands from tray.

(2) On the table notice



Do not press edge of panel to avoid glass broken.

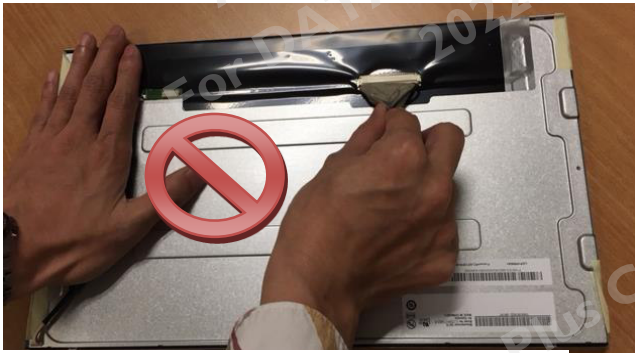


Do not press the surface of the panel to avoid the glass broken or polarizer scratch.



Do not put anything or tool on the panel to avoid the glass broken or polarizer scratch.

(3) Cable assembly notice



Do not insert the connector with single hand and touching the PCBA.



Insert the connector by pushing right and left edge.



ALL TECHNOLOGIES. ALL COMPETENCIES. ONE SPECIALIST.



DATA MODUL AG
Landsberger Straße 322
DE-80687 Munich
Phone: +49-89-56017-0

DATA MODUL WEIKERSHEIM GMBH
Lindenstraße 8
DE-97990 Weikersheim
Phone: +49-7934-101-0

