

TO : Customer

DATE : 2025.02.05

**GREEN C&C TECH Co.,Ltd
75, Saneop-ro 92beon-gil,
Gwonseon-gu, Suwon-si, Gyeonggi-do
KOREA 16643
TEL : 82-31-373-3623~3625
FAX : 82-31-373-3610**

DOCUMENTATION FOR APPROVAL

**PRODUCT : LED BACKLIGHT DRIVER (RoHS)
MODEL NAME : GH734A(P27)
GCCT NAME : GCCT734QA**

APPROVAL	CHECKED	WRITTEN

PLEASE RETURN ONE DOCUMENT AFTER APPROVED SIGN.

GREEN C&C TECH	LED DRIVER SPECIFICATION GH734A(P27)	Publishing Date	2025.02.05
		Reforming Date	

NO	Date	REVISION	Page
REVISION HISTORY			

REV.														
Page														
REV.	0	0	0	0	0									
Page	1	2	3	4	5									
Page Rev.												0	Page	1

GREEN C&C TECH	LED DRIVER SPECIFICATION GH734A(P27)	Publishing Date	2025.02.05
		Reforming Date	

1. APPLICATION

This Document Specified The Detailed Product Requirement of LED driver
GH734A(P27)

2. SUITABLE LOAD

LCD MODULE : 8 Strings LED BLU TFT LCD

3. ELECTRICAL CHARATERISTICS

3.1. Absolute Maximum Ratings

Item	Symbol	Spec.	Unit	Remarks
Input Voltage 1	Vin	10.8~26.4	V	
Input Voltage 2	ON/OFF	5.25	V	
Operating Temperature	Top	-20~70	℃	
Storage Temperature	Tstg	-30~80	℃	
Relative Humidity	RH	80	%	

3.2. Control Signal

PIN No.	Symbol	Status	Action	Remarks
CN1 #12	ON/OFF	HIGH	LED - ON	2.4 ~ 5.0V
		LOW	LED - OFF	0.8 V Max

3.3. Output Characteristics

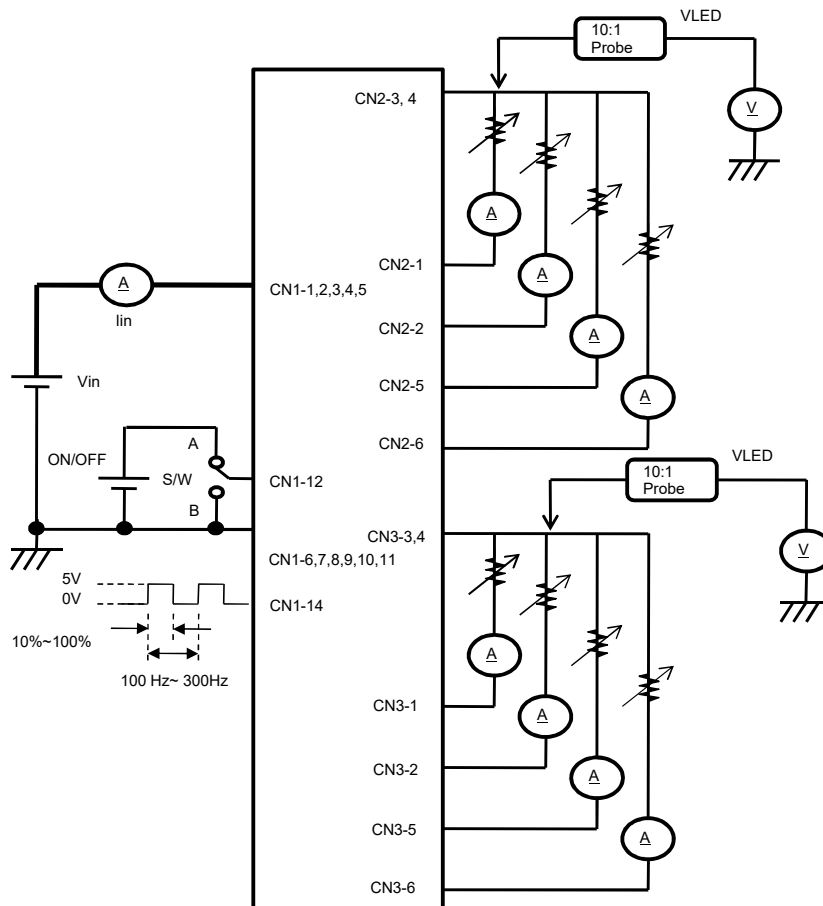
Item	Sym.	Condition	Min.	Typ.	Max.	Unit
Input Voltage	Vin	-	10.8	-	26.4	Vdc
Input Current	Iin	Vin=12V, Dim=100%	-	-	2.5	A
Output Current	Iout (max)	Vin=12V, Dim=100%	60.0	70.0	80.0	mAmean
PWM Signal	Vpwm	High(ON)	2.4	-	5.0	V
	Vpwm	Low(OFF)	-0.3	-	0.8	
	Fpwm	-	100	-	300	Hz
	DUTY	Active High Level	10 (Min)	-	100 (Max)	%

* Output Voltage is greater than Input Voltage for at least 3V or more.

* Duty of the PWM Signal has to be more than 1% at step 1 of Brightness.

3.4. Test Circuit

- S/W : A --> BLU ON
- B --> BLU OFF



GREEN C&C TECH	LED DRIVER SPECIFICATION GH734A(P27)	Publishing Date	2025.02.05
		Reforming Date	

4. INTERFACE

4.1. CN1 Connector (Input) : 20022WR-H14B2 (YEONHO) or Equivalent

PIN No.	Symbol	Description
1,2,3,4,5	VIN	Voltage Input : 12V, 24V (Typ.)
6,7,8,9,10,11	GND	Ground
12	ON/OFF	LED DRIVER ON/OFF Control
13	A-DIM	No Connection
14	P-DIM	10 ~ 100% (100Hz~300Hz PWM Freq.)

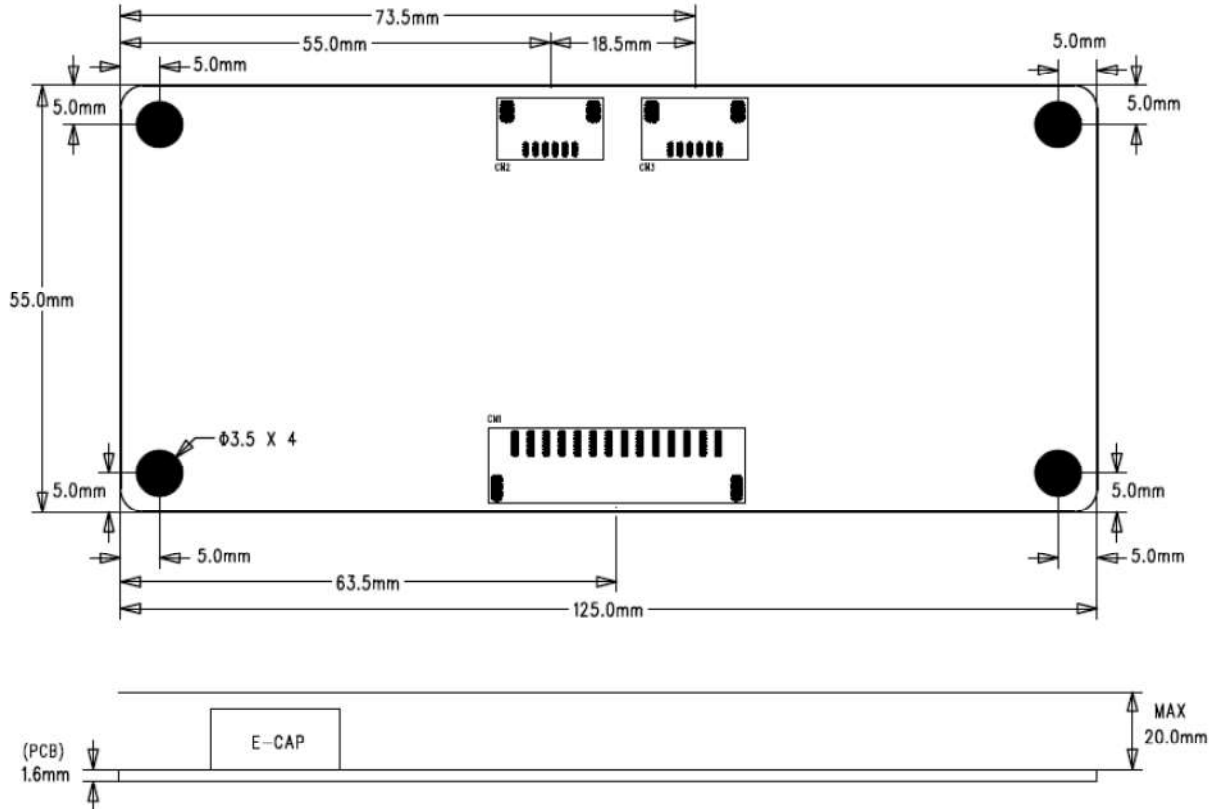
4.2. CN2, CN3 Connector (Output) : 12507WR-06L (YEONHO) or Equivalent

PIN No.	Symbol	Description
1	FB1	Feedback1
2	FB2	Feedback2
3	VLED	LED Output
4	VLED	LED Output
5	FB3	Feedback3
6	FB4	Feedback4

GREEN C&C TECH	LED DRIVER SPECIFICATION GH734A(P27)	Publishing Date	2025.02.05
		Reforming Date	


5. APPERANCE (Unit : mm)

(Tolerance : +0.8mm, -0.2mm)



6. NOTATION OF LOT NUMBER

MARKING : BOTTOM



GH734A(P27)	→ ① USER MODEL CODE
<u>G</u> <u>21</u> <u>01</u> <u>A</u>	→ ② PRODUCTION MANAGEMENT CODE
<u>0001</u> <u>QA</u>	→ ③ SERIAL NUMBER & CONTROL CODE

①	GH734A(P27)	: USER MODEL CODE
	G	: MANUFACTURER CODE (GREEN C&C TECH)
	21	: YEAR OF PRODUCT 21 → 2021, 22 → 2022, ..., 29 → 2029
②	01	: WEEK OF PRODUCT 01,02,03,04,...52
	A	: PUBLICATION NUMBER A,B,C,...,Z,0,1,2,...,9
③	0001	: SERIAL NUMBER 0001,0002.....9998,9999
	QA	: GCCT CONTROL MODEL CODE