

**TO : Customer**

**DATE : 2021.10.19**

**GREEN C&C TECH Co.,Ltd  
75, Saneop-ro 92beon-gil,  
Gwonseon-gu, Suwon-si, Gyeonggi-do  
KOREA 16643  
TEL : 82-31-373-3623~3625  
FAX : 82-31-373-3610**

# **DOCUMENTATION FOR APPROVAL**

**PRODUCT : LED BACKLIGHT DRIVER (ROHS)  
MODEL NAME : GH766A(A27)  
GCCT NAME : GCCT766BA**

<b>APPROVAL</b>	<b>CHECKED</b>	<b>WRITTEN</b>

**PLEASE RETURN ONE DOCUMENT AFTER APPROVED SIGN.**

GREEN C&C TECH	<b>LED DRIVER SPECIFICATION</b> <b>GH766A(A27)</b>	Publishing Date	2021.10.19
		Reforming Date	

NO	Date	REVISION	Page
REVISION HISTORY			

REV.														
Page														
REV.	0	0	0	0	0									
Page	1	2	3	4	5									
											Page Rev.	0	Page	1

GREEN C&C TECH	<b>LED DRIVER SPECIFICATION</b> <b>GH766A(A27)</b>	Publishing Date Reforming Date	2021.10.19
----------------	---	-----------------------------------	------------

## 1. APPLICATION

This Document Specified The Detailed Product Requirement of LED driver  
GH766A(A27)

## 2. SUITABLE LOAD

LCD MODULE : 4 Strings LED BLU TFT LCD

## 3. ELECTRICAL CHARATERISTICS

### 3.1. Absolute Maximum Ratings

Item	Symbol	Spec.	Unit	Remarks
Input Voltage 1	Vin	10.8~13.2	V	
Input Voltage 2	ON/OFF	5.25	V	
Operating Temperature	Top	0~50	℃	
Storage Temperature	Tstg	-20~60	℃	
Relative Humidity	RH	80	%	

### 3.2. Control Signal

PIN No.	Symbol	Status	Action	Remarks
CN1 #9	ON/OFF	HIGH	LED - ON	2.4 ~ 5.25V
		LOW	LED - OFF	0.8 V Max

GREEN C&C TECH	<b>LED DRIVER SPECIFICATION</b> <b>GH766A(A27)</b>	Publishing Date Reforming Date	2021.10.19
----------------	---	-----------------------------------	------------

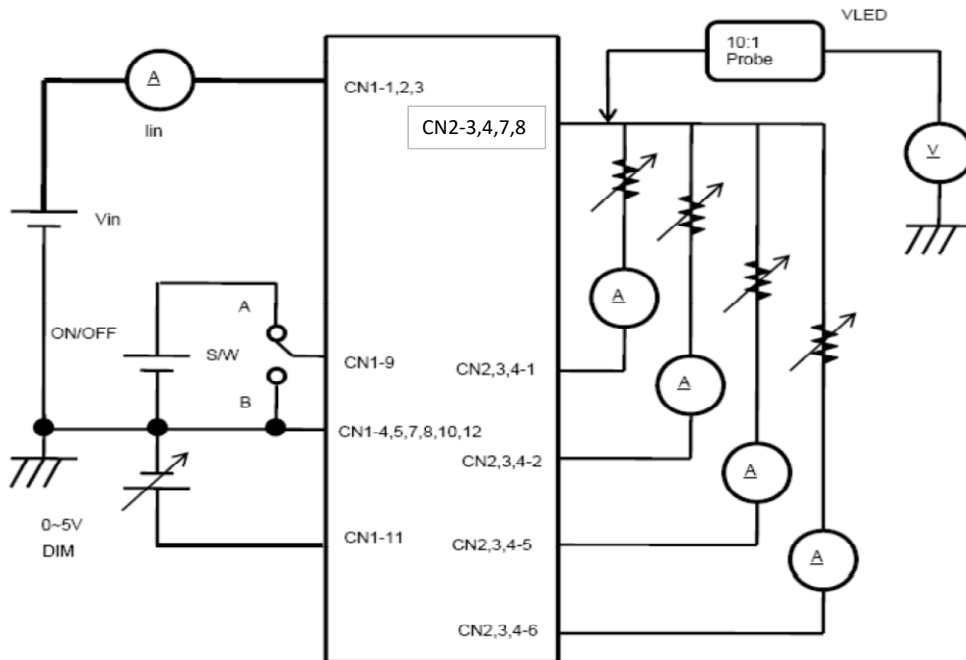
### 3.3. Output Characteristics

Item	Sym.	Condition	Min.	Typ.	Max.	Unit
Input Voltage	Vin	-	10.8	-	13.2	Vdc
Input Current	Iin	Vin=12V, Dim=0V	-	-	1.2	A
Output Current	Iout (Max)	Vin=12V, Dim=0V	150.0	160.0	170.0	mAmean
Backlight ON/OFF Control	ON	-	2.4	-	5.25	Vdc
	OFF	-	-0.3	-	0.8	

\* Output Voltage is greater than Input Voltage for at least 3V or more.

### 3.4. Test Circuit

- S/W : A --> BLU ON  
B --> BLU OFF



GREEN C&C TECH	<b>LED DRIVER SPECIFICATION</b> <b>GH766A(A27)</b>	Publishing Date Reforming Date	2021.10.19
----------------	---	-----------------------------------	------------

#### 4. INTERFACE

##### 4.1. CN1 Connector (Input) : 12505WR-12A (YEONHO) or Equivalent

PIN No.	Symbol	Description
1,2,3	VIN	Voltage Input : 12V (typ)
4,5,7,8,10,12	GND	Ground
6	N.C	No Connection
9	ON/OFF	LED DRIVER ON/OFF Control
11	DIM	0V(MAX)~5V(MIN)

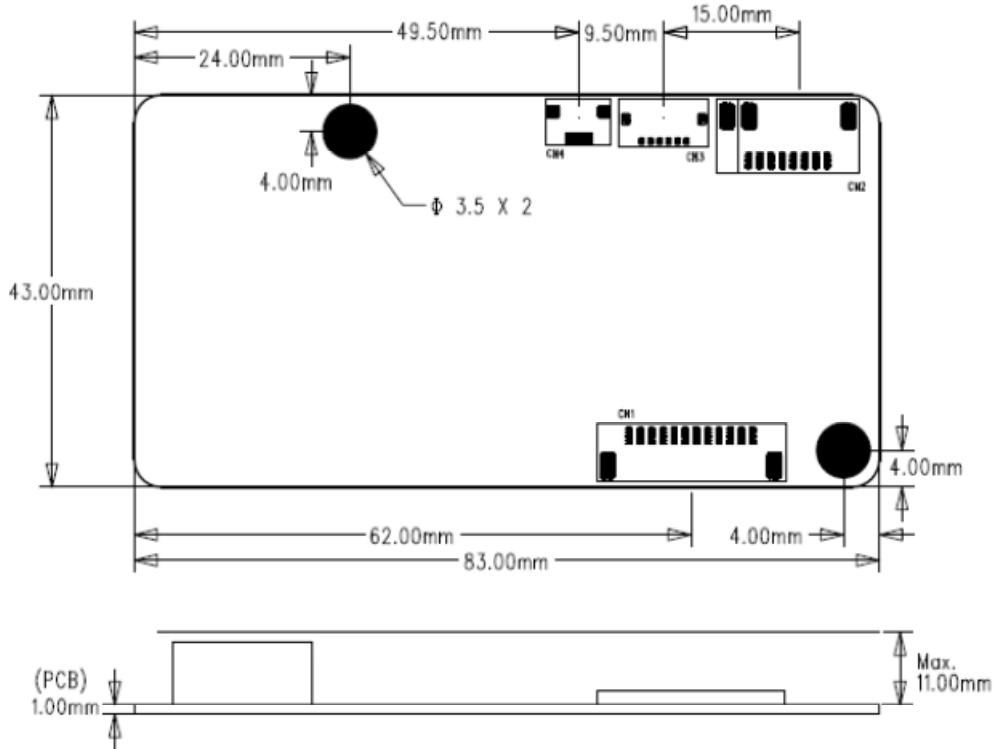
##### 4.2 CN2 Connector (OUTPUT) :12507WR-08L (YEONHO) OR Equivalent

PIN No.	Symbol	Description
1	FB1	Feedback 1
2	FB2	Feedback 2
3,4	VLED	System Output
5	FB3	Feedback 3
6	FB4	Feedback 4
7,8	VLED	System Output

GREEN C&C TECH	<b>LED DRIVER SPECIFICATION</b> <b>GH766A(A27)</b>	Publishing Date Reforming Date	2021.10.19
----------------	---	-----------------------------------	------------


### 5. APPERANCE (Unit : mm)

(Tolerance : +0.8mm, -0.2mm)



### 6. NOTATION OF LOT NUMBER

MARKING:BOTTOM

	<b>GH766A(A27)</b>	→ ① USER MODEL CODE
	<b>G20 01A</b>	→ ② PRODUCTION MANAGEMENT CODE
	<b>0001 BA</b>	→ ③ SERIAL NUMBER OR CONTROL CODE

①	GH766A(A27)	: USER MODEL CODE
	G	: MANUFACTURER CODE (GREEN C&C TECH)
	20	: YEAR OF PRODUCT
		19 → 2019 , 20 → 2020 , ... , 29 → 2029
②	01	: WEEK OF PRODUCT 01,02,03,04,...52
	A	: PUBLICATION NUMBER A,B,C,...,Z,0,1,2,...,9
③	0001	: SERIAL NUMBER 0001,0002.....9998,9999
	BA	: GCCT CONTROL MODEL CODE