

# DATA MODUL

## Specification

**TX14D26VM1BAA**

5.7" - 320 x 240 – RGB

Spec Revision:  
Revision Date: 28.09.2023

Note: This specification is subject to change without prior notice

**Passion Displayed**



FOR MESSRS : \_\_\_\_\_

DATE : Sep.28<sup>th</sup>,2023

## CUSTOMER'S ACCEPTANCE SPECIFICATIONS

### TX14D26VM1BAA

#### Contents

No.	ITEM	SHEET No.	PAGE
1	COVER	7B64PS 2701-TX14D26VM1BAA-6	1-1/1
2	RECORD OF REVISION	7B64PS 2702-TX14D26VM1BAA-6	2-1/1
3	GENERAL DATA	7B64PS 2703-TX14D26VM1BAA-6	3-1/1
4	ABSOLUTE MAXIMUM RATINGS	7B64PS 2704-TX14D26VM1BAA-6	4-1/1
5	ELECTRICAL CHARACTERISTICS	7B64PS 2705-TX14D26VM1BAA-6	5-1/1
6	OPTICAL CHARACTERISTICS	7B64PS 2706-TX14D26VM1BAA-6	6-1/2~2/2
7	BLOCK DIAGRAM	7B64PS 2707-TX14D26VM1BAA-6	7-1/1
8	RELIABILITY TESTS	7B64PS 2708-TX14D26VM1BAA-6	8-1/1
9	LCD INTERFACE	7B64PS 2709-TX14D26VM1BAA-6	9-1/7~7/7
10	OUTLINE DIMENSIONS	7B64PS 2710-TX14D26VM1BAA-6	10-1/1
11	APPEARANCE STANDARD	7B64PS 2711-TX14D26VM1BAA-6	11-1/3~3/3
12	PRECAUTIONS	7B64PS 2712-TX14D26VM1BAA-6	12-1/2~2/2
13	DESIGNATION OF LOT MARK	7B64PS 2713-TX14D26VM1BAA-6	13-1/1

ACCEPTED BY: \_\_\_\_\_

PROPOSED BY: Oblack Tsai

## 2. RECORD OF REVISION

DATE	SHEET No.	SUMMARY												
Jul.19,'13	7B64PS 2709- TX14D26VM1BAA-2 PAGE 9-1/7	<p>9.1 INTERFACE PIN CONNECTIONS</p> <p>Correction :</p> <table border="1"> <thead> <tr> <th>Pin No.</th> <th>Symbol</th> <th>Signal</th> </tr> </thead> <tbody> <tr> <td>4</td> <td>L/R</td> <td>H: Right to left (Default) L: Left to right</td> </tr> </tbody> </table> <p style="text-align: center;">↓</p> <table border="1"> <thead> <tr> <th>Pin No.</th> <th>Symbol</th> <th>Signal</th> </tr> </thead> <tbody> <tr> <td>4</td> <td>L/R</td> <td>H: Left to right (Default) L: Right to left</td> </tr> </tbody> </table>	Pin No.	Symbol	Signal	4	L/R	H: Right to left (Default) L: Left to right	Pin No.	Symbol	Signal	4	L/R	H: Left to right (Default) L: Right to left
Pin No.	Symbol	Signal												
4	L/R	H: Right to left (Default) L: Left to right												
Pin No.	Symbol	Signal												
4	L/R	H: Left to right (Default) L: Right to left												
Jan. 10,'14	7B64PS 2711 – TX14D26VM1BAA-3 PAGE 11 – 2/3	<p>11.2 LCD APPEARANCE SPECIFICATION</p> <p>Revised :</p>												
	7B64PS 2711 – TX14D26VM1BAA-3 PAGE 11 – 3/3	<p>11.2 LCD APPEARANCE SPECIFICATION</p> <p>Removed : LED BACKLIGHT APPEARANCE</p>												
May 13,'19	7B64PS 2713 – TX14D26VM1BAA-4 PAGE 13 – 1/1	<p>13.DESIGNATION OF LOT MARK</p> <p>Added</p> <table border="1"> <thead> <tr> <th>REV No.</th> <th>ITEM</th> <th>LOT No.</th> </tr> </thead> <tbody> <tr> <td>A</td> <td>-</td> <td>-</td> </tr> <tr> <td>B</td> <td>Backlight Components Change</td> <td>PCN1016</td> </tr> </tbody> </table>	REV No.	ITEM	LOT No.	A	-	-	B	Backlight Components Change	PCN1016			
REV No.	ITEM	LOT No.												
A	-	-												
B	Backlight Components Change	PCN1016												
Jan.03,'23	7B64PS 2701 – TX14D26VM1BAA-5 PAGE 1 – 1/1	<p>Company logo changed :</p>												
	7B64PS 2713 – TX14D26VM1BAA-5 PAGE 13 – 1/1													
	All page	<p>Company name changed:</p> <p>From “KAOHSIUNG OPTO-ELECTRONICS INC.”</p> <p>to “JDI Taiwan Inc. Kaohsiung Branch”</p>												
Sep.28,'23	7B64PS 2709 – TX14D26VM1BAA-6 PAGE 9 – 1/7	<p>9. LCD INTERFACE</p> <p>Connector changed : FA5B040HP1 (JAE) → 089N40-000S00-G2-R (STARCONN)</p>												
	7B64PS 2713 – TX14D26VM1BAA-6 PAGE 13 – 1/1	<p>13. DESIGNATION of LOT MARK</p> <p>Added :</p> <table border="1"> <thead> <tr> <th>REV. No</th> <th>ITEM</th> <th>Remarks</th> </tr> </thead> <tbody> <tr> <td>C</td> <td>Driver IC &amp; Connector changed</td> <td>PCN1068</td> </tr> </tbody> </table>	REV. No	ITEM	Remarks	C	Driver IC & Connector changed	PCN1068						
REV. No	ITEM	Remarks												
C	Driver IC & Connector changed	PCN1068												

### 3. GENERAL DATA

#### 3.1 DISPLAY FEATURES

This module is a 5.7" QVGA of 4:3 format amorphous silicon TFT. The pixel format is vertical stripe and sub pixels are arranged as R (red), G (green), B (blue) sequentially. This display is RoHS compliant, COG (chip on glass) technology and LED backlight are applied on this display.

Part Name	TX14D26VM1BAA
Module Dimensions	131.0(W) mm x 102.2(H) mm x 7.1 (D) mm typ.
LCD Active Area	115.2(W) mm x 86.4(H) mm
Pixel Pitch	0.36 (W) mm x 0.36 (H) mm
Resolution	320 x 3(RGB)(W) x 240(H) dots
Color Pixel Arrangement	R, G, B Vertical stripe
LCD Type	Transmissive Color TFT; Normally White
Display Type	Active Matrix
Number of Colors	262k Colors
Backlight	21 LEDs (3 series x 7)
Weight	150g
Interface	C-MOS; 18-bit RGB; 40 pins
Power Supply Voltage	3.3V for LCD; 12V for Backlight
Power Consumption	0.27 W for LCD; 1.68 W for Backlight
Viewing Direction	6 o'clock (without image inversion and least brightness change) 12 o'clock (contrast peak located at)

## 4. ABSOLUTE MAXIMUM RATINGS

Item	Symbol	Min.	Max.	Unit	Remarks
Supply Voltage	$V_{DD}$	-0.3	5	V	-
Input Voltage of Logic	$V_i$	-0.3	$V_{DD}+0.3$	V	Note 1
Operating Temperature	Top	-20	70	°C	Note 2
Storage Temperature	Tst	-30	80	°C	Note 2
Backlight Input Voltage	$V_{LED}$	-	14.5	V	-

Note 1: The rating is defined for the signal voltages of the interface such as CLK, DE, Hsync, Vsync, MODE, U/D, L/R and RGB data bus.

Note 2: The maximum rating is defined as above based on the chamber temperature, which might be different from ambient temperature after assembling the panel into the application. Moreover, some temperature-related phenomenon as below needed to be noticed:

- Background color, contrast and response time would be different in temperatures other than 25 °C.
- Operating under high temperature will shorten LED lifetime.

## 5. ELECTRICAL CHARACTERISTICS

### 5.1 LCD CHARACTERISTICS

$T_a = 25\text{ }^\circ\text{C}$ ,  $V_{SS} = 0\text{V}$

Item	Symbol	Condition	Min.	Typ.	Max.	Unit	Remarks
Power Supply Voltage	$V_{DD}$	-	3.0	3.3	3.6	V	-
Input Voltage of Logic	$V_I$	"H" level	$0.7V_{DD}$	-	$V_{DD}$	V	Note 1
		"L" level	$V_{SS}$	-	$0.3V_{DD}$		
Power Supply Current	$I_{DD}$	$V_{DD}=3.3\text{V}$	-	57	75	mA	Note 2
Vsync Frequency	$f_v$	-	54	60	66	Hz	-
Hsync Frequency	$f_H$	-	14.20	15.68	17.35	KHz	-
CLK Frequency	$f_{CLK}$	-	5.79	6.4	7.08	MHz	-

Note 1: The rating is defined for the signal voltages of the interface such as DE, CLK, MODE, U/D, L/R and RGB data bus.

Note 2: An all black check pattern is used when measuring  $I_{DD}$ .  $f_v$  is set to 60 Hz.

### 5.2 BACKLIGHT CHARACTERISTICS

$T_a = 25\text{ }^\circ\text{C}$

Item	Symbol	Condition	Min.	Typ.	Max.	Unit	Remarks
LED Input Voltage	$V_{LED}$	-	11.5	12	12.5	V	Note1
LED Forward Current	$I_{LED}$	-	110	140	170	mA	Note 1
LED lifetime	-	140 mA	-	40K	-	hrs	Note 2

Note 1: As Fig. 5.1 shown, LED current is around 140 mA when applying 12V  $V_{LED}$  to the LED circuit.

Note 2: The estimated lifetime is specified as the time to reduce 50% brightness by applying 140 mA at  $25\text{ }^\circ\text{C}$ .

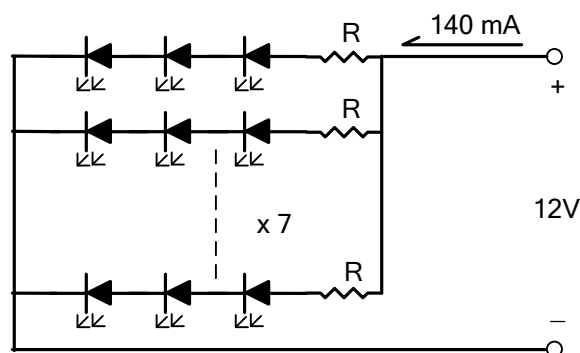


Fig. 5.1

## 6. OPTICAL CHARACTERISTICS

The optical characteristics are measured based on the conditions as below:

- Supplying the signals and voltages defined in the section of electrical characteristics.
- The backlight unit needs to be turned on for 30 minutes.
- The ambient temperature is 25 °C .
- In the dark room around 500~1000 lx, the equipment has been set for the measurements as shown in Fig 6.1.

$$T_a = 25 \text{ }^\circ\text{C}, f_v = 60 \text{ Hz}, V_{DD} = 3.3V$$

Item	Symbol	Condition	Min.	Typ.	Max.	Unit	Remarks	
Brightness of White	-	$\phi = 0^\circ, \theta = 0^\circ$ , ILED= 140 mA	640	800	-	cd/m <sup>2</sup>	Note 1	
Brightness Uniformity	-		70	-	-	%	Note 2	
Contrast Ratio	CR		400	800	-	-	Note 3	
Response Time (Rising + Falling)	$T_r + T_f$	$\phi = 0^\circ, \theta = 0^\circ$	-	30	-	ms	Note 4	
NTSC Ratio	-	$\phi = 0^\circ, \theta = 0^\circ$	-	60	-	%	-	
Viewing Angle	$\theta_x$	$\phi = 0^\circ, CR \geq 10$	70	80	-	Degree	Note 5	
	$\theta_{x'}$	$\phi = 180^\circ, CR \geq 10$	70	80	-			
	$\theta_y$	$\phi = 90^\circ, CR \geq 10$	70	80	-			
	$\theta_{y'}$	$\phi = 270^\circ, CR \geq 10$	45	60	-			
Color Chromaticity	Red	X	$\phi = 0^\circ, \theta = 0^\circ$	0.59	0.64	0.69	-	Note 6
		Y		0.30	0.35	0.40		
	Green	X		0.32	0.37	0.42		
		Y		0.54	0.59	0.64		
	Blue	X		0.10	0.15	0.20		
		Y		0.05	0.10	0.15		
	White	X		0.26	0.31	0.38		
		Y		0.29	0.34	0.39		

Note 1: The brightness is measured from the panel center point, P5 in Fig. 6.2, for the typical value.

Note 2: The brightness uniformity is calculated by the equation as below:

$$\text{Brightness uniformity} = \frac{\text{Min. Brightness}}{\text{Max. Brightness}} \times 100\%$$

, which is based on the brightness values of the 9 points measured by BM-5 as shown in Fig. 6.2.

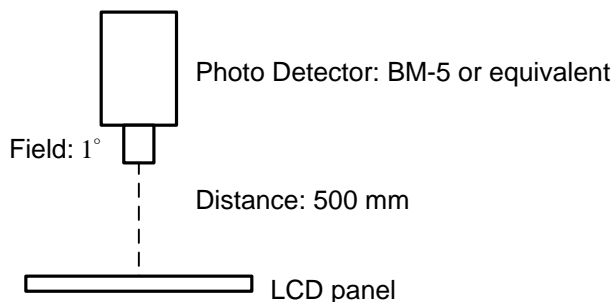


Fig. 6.1

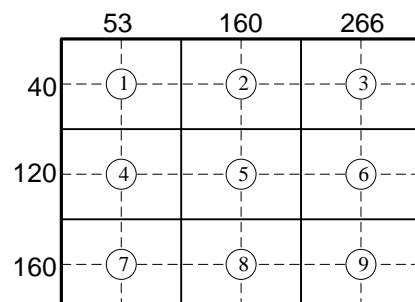


Fig. 6.2

Note 3: The Contrast Ratio is measured from the center point of the panel, P5, and defined as the following equation:

$$CR = \frac{\text{Brightness of White}}{\text{Brightness of Black}}$$

Note 4: The definition of response time is shown in Fig. 6.3. The rising time is the period from 90% brightness to 10% brightness when the data is from white to black. Oppositely, Falling time is the period from 10% brightness rising to 90% brightness.

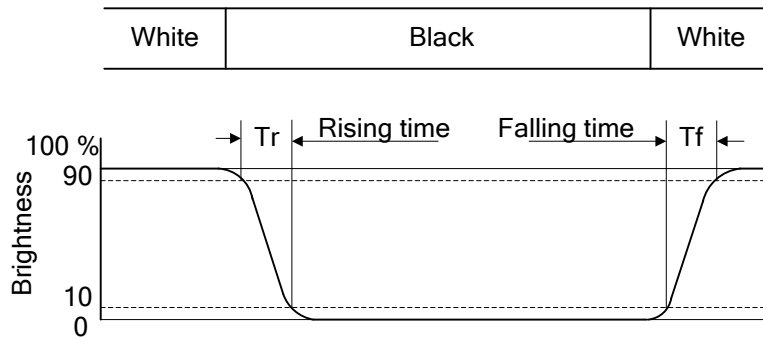


Fig 6.3

Note 5: The definition of viewing angle is shown in Fig. 6.4. Angle  $\phi$  is used to represent viewing directions, for instance,  $\phi = 270^\circ$  means 6 o'clock, and  $\phi = 0^\circ$  means 3 o'clock. Moreover, angle  $\theta$  is used to represent viewing angles from axis Z toward plane XY.

The viewing direction of this display is 6 o'clock, which means that a photograph with gray scale would not be reversed in color and the brightness change would be less from this direction. However, the best contrast peak would be located at 12 o'clock.

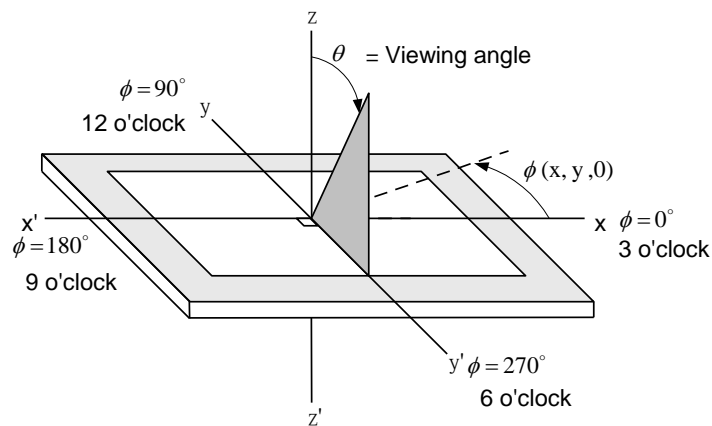
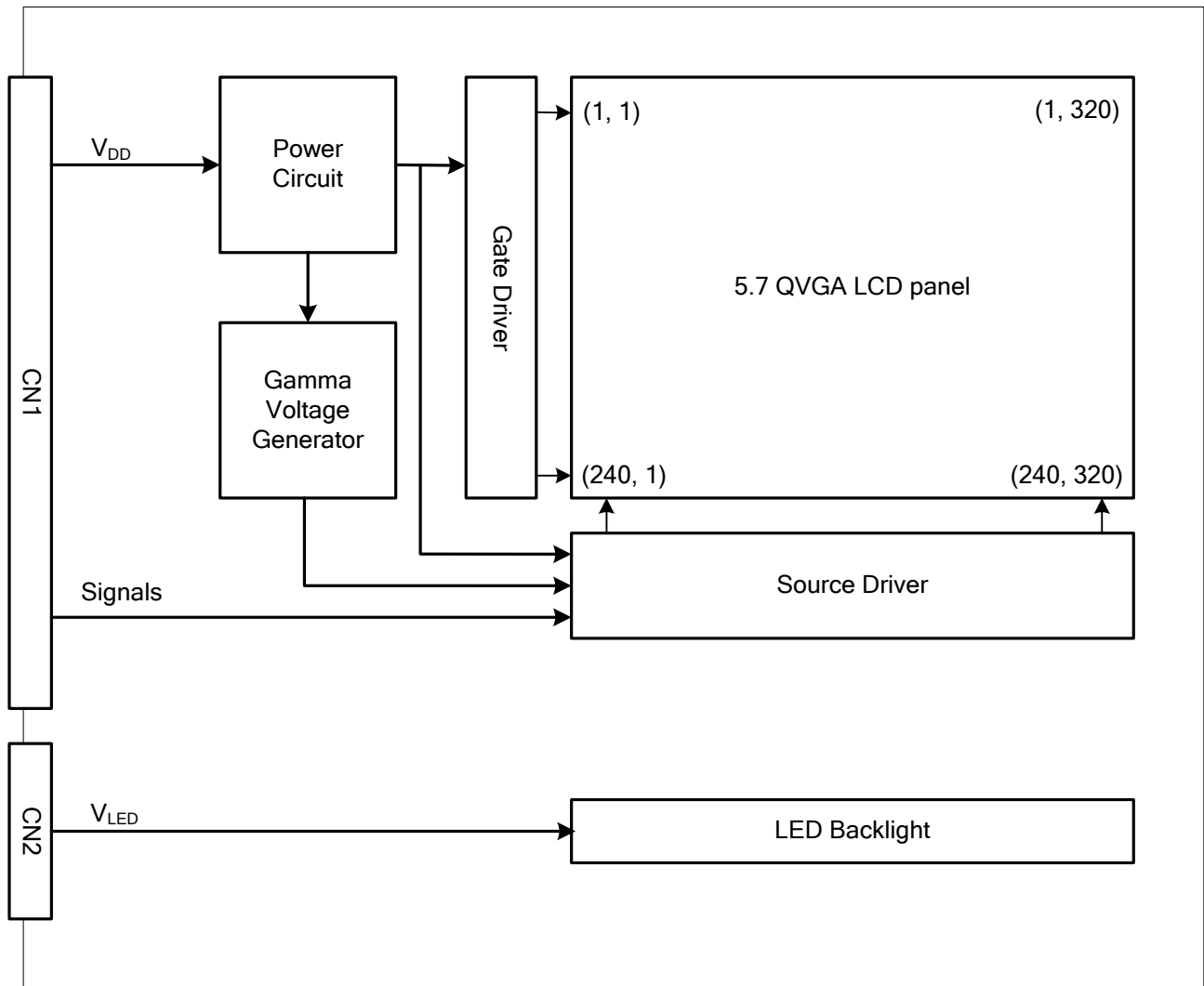


Fig 6.4

Note 6: The color chromaticity is measured from the center point of the panel, P5, as shown in Fig. 6.2.



## 7. BLOCK DIAGRAM



Note1: Signals are CLK, Hsync, Vsync, DE, MODE, U/D, L/R and RGB data bus.

## 8. RELIABILITY TESTS

Test Item	Condition	
High Temperature	1) Operating 2) 70 °C	240 hrs
Low Temperature	1) Operating 2) -20 °C	240 hrs
High Temperature	1) Storage 2) 80 °C	240 hrs
Low Temperature	1) Storage 2) -30 °C	240 hrs
Heat Cycle	1) Operating 2) -20 °C ~70 °C 3) 3hrs~1hr~3hrs	240 hrs
Thermal Shock	1) Non-Operating 2) -35 °C ↔ 85 °C 3) 0.5 hr ↔ 0.5 hr	240 hrs
High Temperature & Humidity	1) Operating 2) 40 °C & 85%RH 3) Without condensation (Note3)	240 hrs
Vibration	1) Non-Operating 2) 20~200 Hz 3) 3G 4) X, Y, and Z directions	1 hr for each direction
Mechanical Shock	1) Non-Operating 2) 10 ms 3) 50G 4) ±X, ± Y and ±Z directions	Once for each direction
ESD	1) Operating 2) Tip: 150 pF, 330 Ω 3) Air discharge for glass: ± 8KV 4) Contact discharge for metal frame: ± 8KV	1) Glass: 9 points 2) Metal frame: 8 points (Note4)

Note 1: Display functionalities are inspected under the conditions defined in the specification after the reliability tests.

Note 2: The display is not guaranteed for use in corrosive gas environments.

Note 3: Under the condition of high temperature & humidity, if the temperature is higher than 40 °C, the humidity needs to be reduced as Fig. 8.1 shown.

Note 4: All pins of LCD interface(CN1) have been tested by ± 100V contact discharge of ESD under non-operating condition.

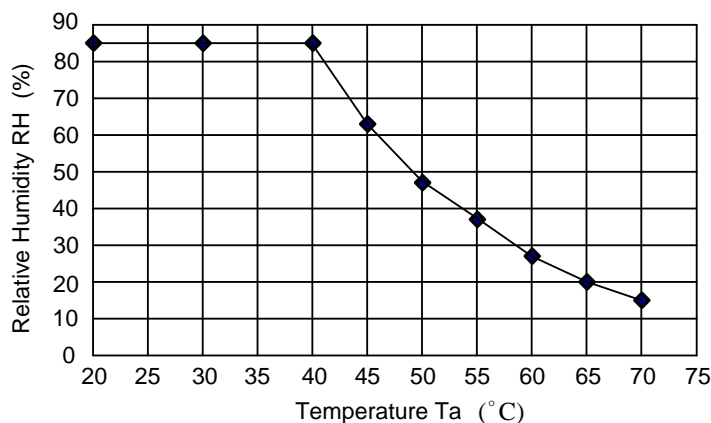


Fig. 8.1

## 9. LCD INTERFACE

### 9.1 INTERFACE PIN CONNECTIONS

The display interface connector (CN1) is 089N40-000S00-G2-R (STARCONN), and Pin assignment is as below:

Pin No.	Symbol	Signal	Pin No.	Symbol	Signal
1	V <sub>DD</sub>	Supply voltage	21	G4	Green data
2	V <sub>DD</sub>	Supply voltage	22	G3	Green data
3	U/D	H: Up to down (Default) L: Down to up	23	GND	Ground
4	L/R	H: Left to right (Default) L: Right to left	24	G2	Green data
5	VSYNC	Vertical synchronous signal	25	G1	Green data
6	DE	Data enable	26	G0	Green data (LSB)
7	GND	Ground	27	GND	Ground
8	CLK	Dot clock	28	R5	Red data (MSB)
9	GND	Ground	29	R4	Red data
10	HSYNC	Horizontal synchronous signal	30	R3	Red data
11	GND	Ground	31	GND	Ground
12	B5	Blue data (MSB)	32	R2	Red data
13	B4	Blue data	33	R1	Red data
14	B3	Blue data	34	R0	Red data (LSB)
15	GND	Ground	35	MODE	H: Data enable mode (Default) L: Synchronous mode
16	B2	Blue data	36	GND	Ground
17	B1	Blue data	37	N.C.	No Connection
18	B0	Blue data (LSB)	38	N.C.	No Connection
19	GND	Ground	39	N.C.	No Connection
20	G5	Green data (MSB)	40	N.C.	No Connection

The backlight connector (CN2) is BHR-03VS-1 made by JST, and pin assignment is as below:

Pin No.	Symbol	Signal
1	V <sub>LED</sub>	12VDC
2	N.C.	No connection
3	GND	Ground

## 9.2 TIMING CHART

### A. SYNCHRONOUS MODE

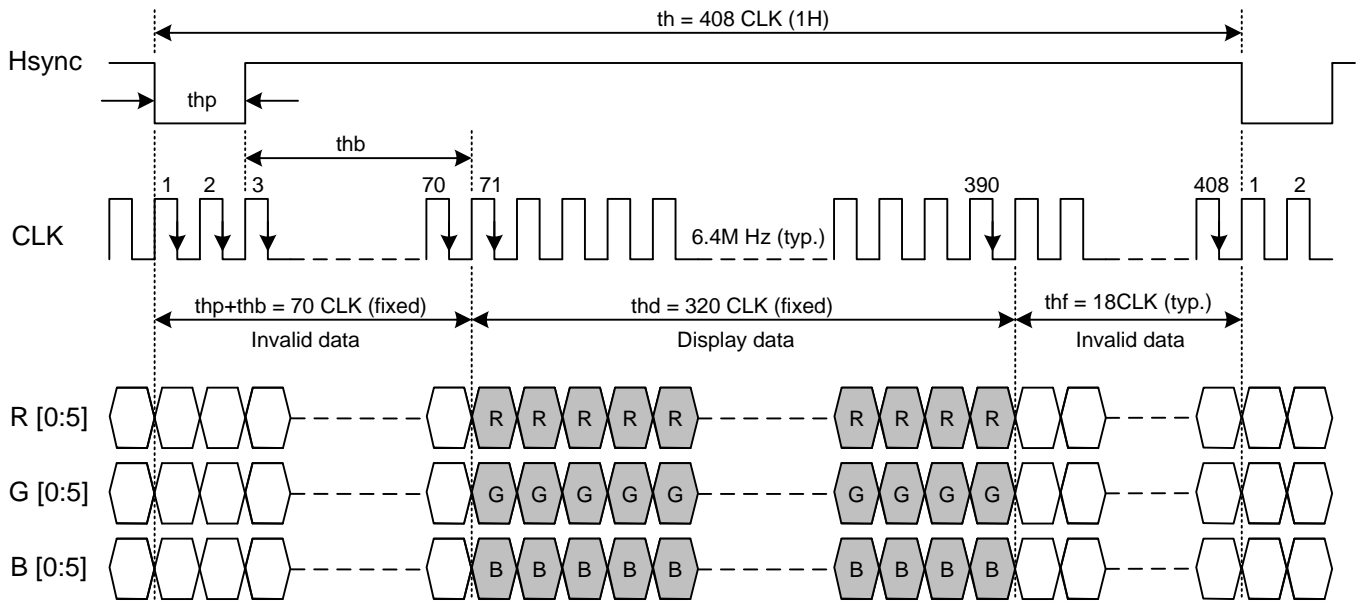


Fig. 9.1 Horizontal Timing of Synchronous Mode

Note 1: CLK's falling edge is the time to latch data and count ( $thp + thb$ ), therefore, data sending and Hsync's falling edge should start when CLK's rise edge.

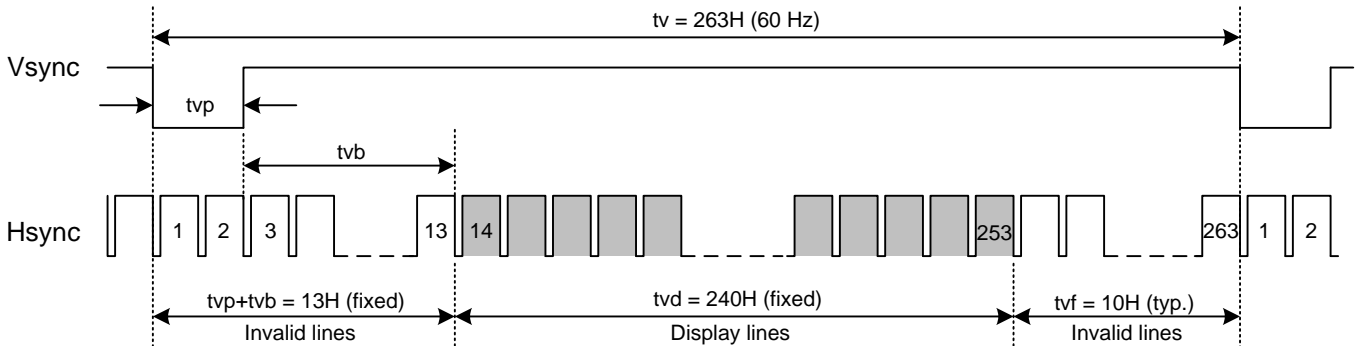


Fig. 9.2 Vertical Timing of Synchronous Mode

Note 2: Vsync's falling edge needs to start with Hsync's falling edge simultaneously to count ( $tv_p + tv_b$ ).

## B. DE MODE

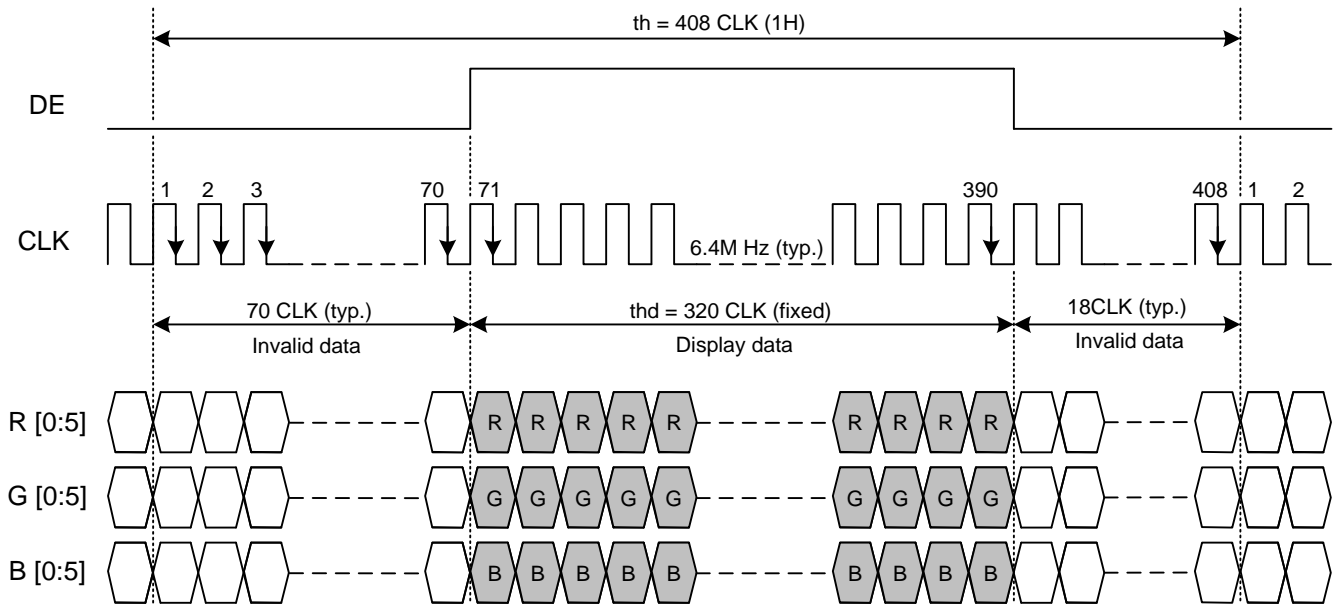


Fig. 9.3 Horizontal Timing of DE Mode

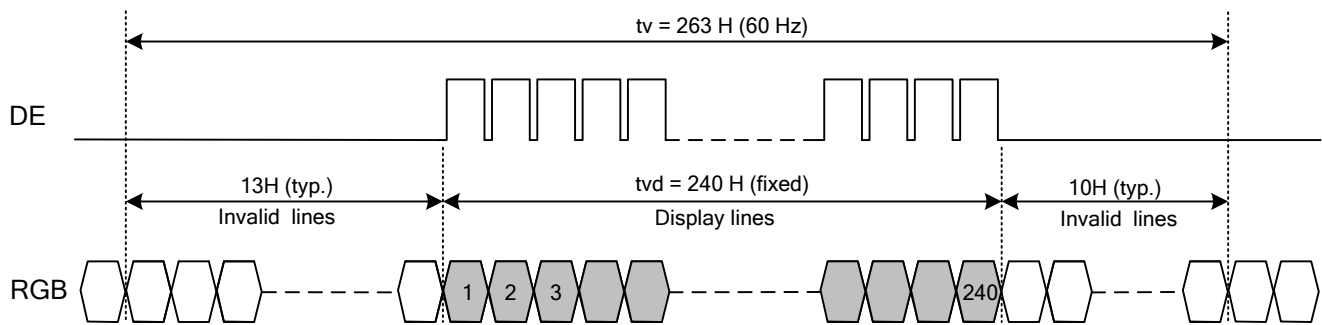


Fig. 9.4 Vertical Timing of DE Mode

### C. CLOCK AND DATA INPUT TIMING

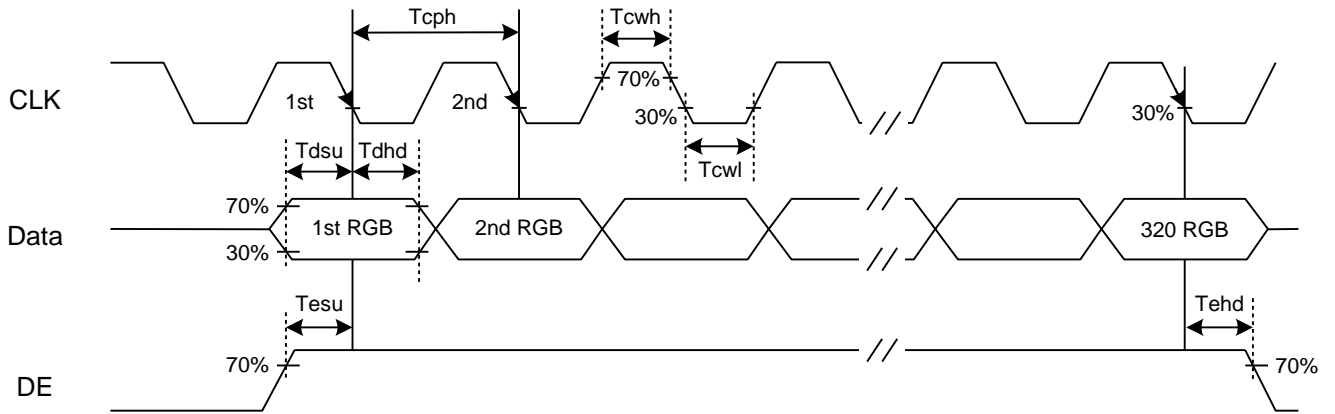


Fig. 9.5 Setup & Hold Time of Data and DE signal.

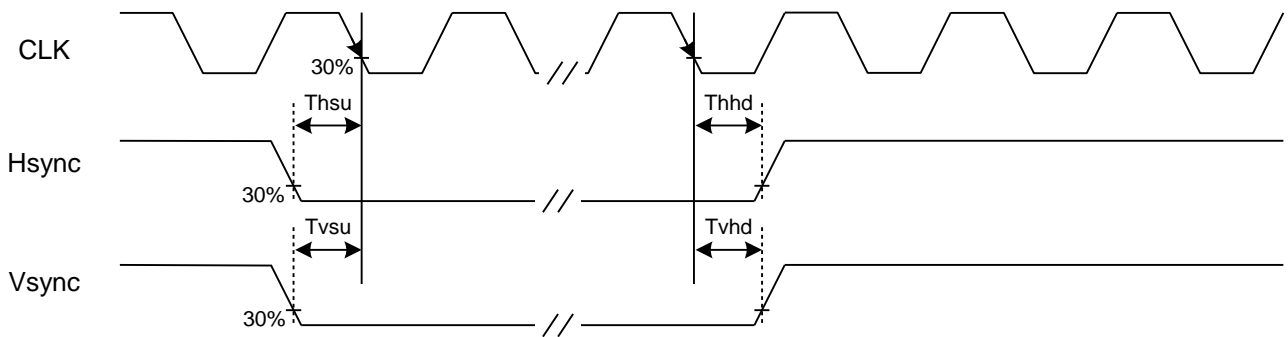


Fig. 9.6 Setup & Hold Time of Hsync and Vsync signal.

### 9.3 TIME TABLE

The column of timing sets including minimum, typical, and maximum as below are based on the best optical performance, frame frequency (Vsync) = 60 Hz to define. If 60 Hz is not the aim to set, 54~66 Hz for Vsync is recommended to apply for better performance by other parameter combination as the definitions in section 5.1.

#### A. SYNCHRONOUS MODE

Item		Symbol	Min.	Typ.	Max.	Unit
Hsync	CLK Frequency	fclk	6.2	6.4	12.1	M Hz
	Display Data	thd	320	320	320	CLK
	Cycle Time	th	406	408	560	
	Pulse Width	thp	1	2	10	
	Pulse Width and Back Porch	thp + thb	70	70	70	
	Front Porch	thf	16	18	170	
Vsync	Display Line	tvd	240	240	240	H
	Cycle Time	tv	254	263	360	
	Pulse Width	tvp	1	2	10	
	Pulse Width and Back Porch	tvp + tvb	13	13	13	
	Front Porch	tvf	1	10	107	

#### B. DE MODE

Item		Symbol	Min.	Typ.	Max.	Unit
Horizontal	CLK Frequency	fclk	6.2	6.4	12.1	M Hz
	Display Data	thd	320	320	320	CLK
	Cycle Time	th	406	408	560	
Vertical	Display Data	tvd	240	240	240	H
	Cycle Time	tv	254	263	360	

#### C. CLOCK AND DATA INPUT TIMING

Item		Symbol	Min.	Typ.	Max.	Unit
CLK	Duty	Tcwh	40	50	60	%
	Cycle Time	Tcph	29.23	39.68	-	ns
Vsync	Setup Time	Tvsu	8	-	-	
	Hold Time	Tvhd	8	-	-	
Hsync	Setup Time	Thsu	8	-	-	
	Hold Time	Thhd	8	-	-	
Data	Setup Time	Tdsu	8	-	-	
	Hold Time	Tdhd	8	-	-	
DE	Setup Time	Tesu	8	-	-	
	Hold Time	Tehd	8	-	-	

## 9.4 POWER SEQUENCE

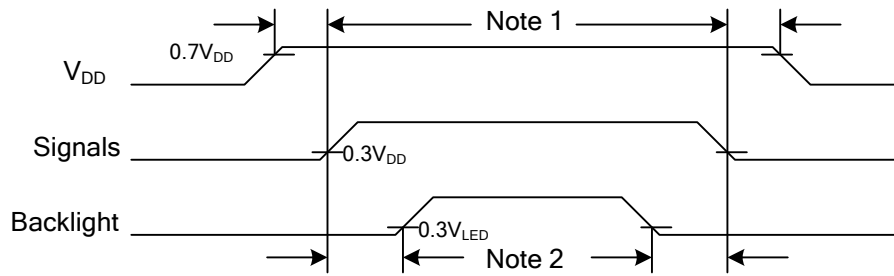


Fig. 9.7 Power Sequence Timing

Note 1: In order to avoid any damages,  $V_{DD}$  has to be applied before all other signals. The opposite is true for power off where  $V_{DD}$  has to be remained on until all other signals have been switch off. The recommended time period is 1 second. Hot plugging might cause display damage due to incorrect power sequence, please pay attention on interface connecting before power on.

Note 2: In order to avoid showing uncompleted patterns in transient state. It is recommended that switching the backlight on is delayed for 1 second after the signals have been applied. The opposite is true for power off where the backlight has to be switched off 1 second before the signals are removed.

## 9.5 SCAN DIRECTION

Scan direction is available to be switched as below by setting CN1's U/D and L/R pins.



Fig. 9.8 Normal Scan (U/D: High; L/R: High)



Fig. 9.9 Vertical reverse (U/D: Low; L/R: High)



Fig. 9.10 Horizontal reverse (U/D: High; L/R: Low)

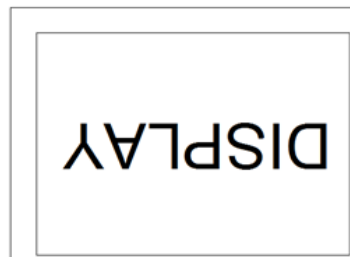


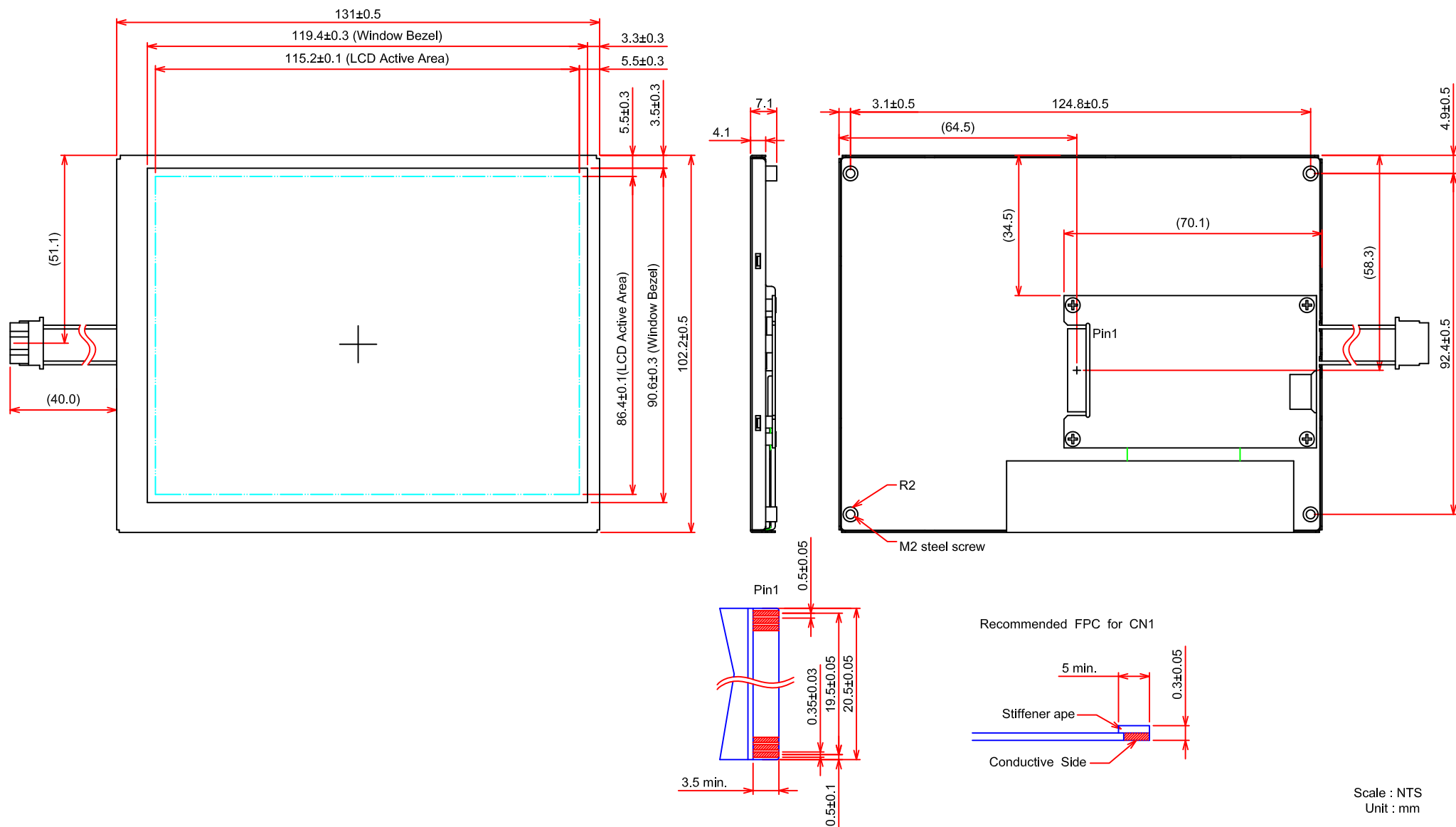
Fig. 9.11 Rotation of 180 degree (U/D: Low; L/R: Low)



### 9.6 DATA INPUT for DISPLAY COLOR

	COLOR & Gray Scale	Data Signal																	
		R5	R4	R3	R2	R1	R0	G5	G4	G3	G2	G1	G0	B5	B4	B3	B2	B1	B0
Basic Color	Black	0	0	0	0	0	0	0	0	0	0	0	0	0	0	0	0	0	0
	Red (63)	1	1	1	1	1	1	0	0	0	0	0	0	0	0	0	0	0	0
	Green (63)	0	0	0	0	0	0	1	1	1	1	1	1	0	0	0	0	0	0
	Blue (63)	0	0	0	0	0	0	0	0	0	0	0	0	1	1	1	1	1	1
	Cyan	0	0	0	0	0	0	1	1	1	1	1	1	1	1	1	1	1	1
	Magenta	1	1	1	1	1	1	0	0	0	0	0	0	1	1	1	1	1	1
	Yellow	1	1	1	1	1	1	1	1	1	1	1	1	0	0	0	0	0	0
	White	1	1	1	1	1	1	1	1	1	1	1	1	1	1	1	1	1	1
Red	Black	0	0	0	0	0	0	0	0	0	0	0	0	0	0	0	0	0	0
	Red (1)	0	0	0	0	0	1	0	0	0	0	0	0	0	0	0	0	0	0
	Red (2)	0	0	0	0	1	0	0	0	0	0	0	0	0	0	0	0	0	0
	:	:	:	:	:	:	:	:	:	:	:	:	:	:	:	:	:	:	:
	:	:	:	:	:	:	:	:	:	:	:	:	:	:	:	:	:	:	:
	Red (62)	1	1	1	1	1	0	0	0	0	0	0	0	0	0	0	0	0	0
	Red (63)	1	1	1	1	1	1	0	0	0	0	0	0	0	0	0	0	0	0
Green	Black	0	0	0	0	0	0	0	0	0	0	0	0	0	0	0	0	0	0
	Green (1)	0	0	0	0	0	0	0	0	0	0	0	1	0	0	0	0	0	0
	Green (2)	0	0	0	0	0	0	0	0	0	0	1	0	0	0	0	0	0	0
	:	:	:	:	:	:	:	:	:	:	:	:	:	:	:	:	:	:	:
	:	:	:	:	:	:	:	:	:	:	:	:	:	:	:	:	:	:	:
	Green (62)	0	0	0	0	0	0	1	1	1	1	1	0	0	0	0	0	0	0
	Green (63)	0	0	0	0	0	0	1	1	1	1	1	1	0	0	0	0	0	0
Blue	Black	0	0	0	0	0	0	0	0	0	0	0	0	0	0	0	0	0	0
	Blue (1)	0	0	0	0	0	0	0	0	0	0	0	0	0	0	0	0	0	1
	Blue (2)	0	0	0	0	0	0	0	0	0	0	0	0	0	0	0	0	1	0
	:	:	:	:	:	:	:	:	:	:	:	:	:	:	:	:	:	:	:
	:	:	:	:	:	:	:	:	:	:	:	:	:	:	:	:	:	:	:
	Blue (62)	0	0	0	0	0	0	0	0	0	0	0	0	1	1	1	1	1	0
	Blue (63)	0	0	0	0	0	0	0	0	0	0	0	0	1	1	1	1	1	1

# 10. OUTLINE DIMENSIONS



Scale : NTS  
Unit : mm

# 11. APPEARANCE STANDARD

The appearance inspection is performed in a dark room around 500~1000 lx based on the conditions as below:

- The distance between inspector's eyes and display is 30 cm.
- The viewing zone is defined with angle  $\theta$  shown in Fig. 11.1 The inspection should be performed within  $45^\circ$  when display is shut down. The inspection should be performed within  $5^\circ$  when display is power on.

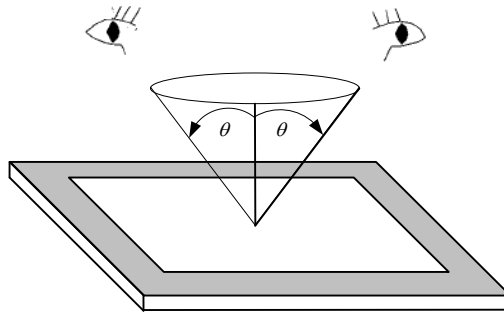


Fig. 11.1

## 11.1 THE DEFINITION OF LCD ZONE

LCD panel is divided into 2 areas as shown in Fig.11.2 for appearance specification in next section. A zone is the LCD active area (dot area); B zone is the area between A zone and metal frame.

In terms of housing design, B zone is the recommended window area customers' housing should be located in.

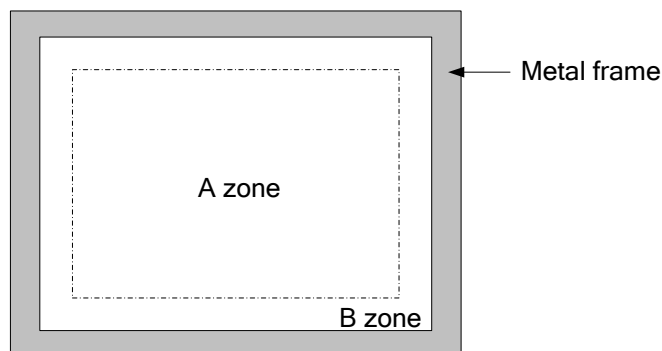


Fig. 11.2

## 11.2 LCD APPEARANCE SPECIFICATION

The specification as below is defined as the amount of unexpected phenomenon or material in different zones of LCD panel. The definitions of length, width and average diameter using in the table are shown in Fig. 11.4 and Fig. 11.5.

Item	Criteria				Applied zone
	Length (mm)	Width (mm)	Maximum number	Minimum space	
Scratches	$L \leq 15$	$W \leq 0.02$	Ignored	-	A
	$L \leq 15$	$0.02 < W \leq 0.1$	5	-	
	$L > 15$	$0.1 < W$	0	-	
Dent	Serious one is not allowed				A
Wrinkles in polarizer	Serious one is not allowed				A
Bubbles on polarizer	Average diameter (mm)		Maximum number		A
	$D \leq 0.3$		Ignored		
	$0.3 < D \leq 0.6$		4		
	$0.6 < D$		0		
1) Stains 2) Foreign Materials 3) Dark Spot	Filamentous (Line shape)				A
	Length (mm)	Width (mm)	Maximum number		
	$L \leq 2.0$	$W \leq 1.5$	5		
	$L > 2.0$	$1.5 < W$	0		
	Round (Dot shape)				A
	Average diameter (mm)	Maximum number	Minimum Space		
	$D \leq 0.2$	Ignored	-		
	$0.2 < D < 0.6$	4	-		
	$0.6 \leq D$	0	-		
	Those wiped out easily are acceptable				
Dot-Defect		Area①	Area②	Maximum number	A (Note 1)
	Bright dot-defect	1 dot	2 dot	3 dot	
	Dark dot-defect	2 dot	3 dot	4 dot	
	Bright + Dark point	3 dot	4 dot	5 dot	

Note 1: The Dot-Defect inspection within A zone (active area) would be divided into area ①, ② as Fig. 11.3 shown.

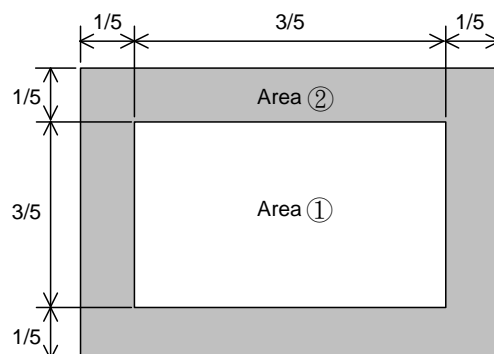


Fig. 11.3

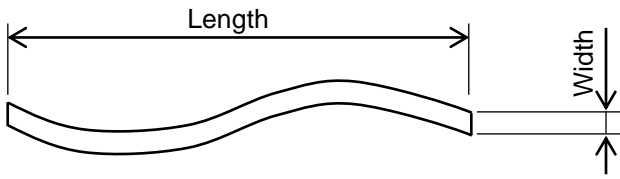
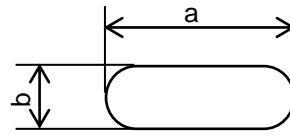


Fig 11.4



$$\text{Average diameter} = \frac{a+b}{2}$$

Fig 11.5

## 12. PRECAUTIONS

### 12.1 PRECAUTIONS of ESD

- 1) Before handling the display, please ensure your body has been connected to ground to avoid any damages by ESD. Also, do not touch display's interface directly when assembling.
- 2) Please remove the protection film very slowly before turning on the display to avoid generating ESD.

### 12.2 PRECAUTIONS of HANDLING

- 1) In order to keep the appearance of display in good condition, please do not rub any surfaces of the displays by using sharp tools harder than 3H, especially touch panel, metal frame and polarizer.
- 2) Please do not stack the displays as this may damage the surface. In order to avoid any injuries, please avoid touching the edge of the glass or metal frame and wore gloves during handling.
- 3) Touching the polarizer or terminal pins with bare hand should be avoided to prevent staining and poor electrical contact.
- 4) Do not use any harmful chemicals such as acetone, toluene, and isopropyl alcohol to clean display's surfaces.
- 5) Please use soft cloth or absorbent cotton with ethanol to clean the display by gently wiping. Moreover, when wiping the display, please wipe it by horizontal or vertical direction instead of circling to prevent leaving scars on the display's surface, especially polarizer.
- 6) Please wipe any unknown liquids immediately such as saliva, water or dew on the display to avoid color fading or any permanent damages.
- 7) Maximum pressure to the surface of the display must be less than  $1.96 \times 10^4$  Pa. If the area of applied pressure is less than  $1 \text{ cm}^2$ , the maximum pressure must be less than 1.96N.

### 12.3 PRECAUTIONS OF OPERATING

- 1) Please input signals and voltages to the displays according to the values defined in the section of electrical characteristics to obtain the best performance. Any voltages over than absolute maximum rating will cause permanent damages to this display. Also, any timing of the signals out of this specification would cause unexpected performance.
- 2) When the display is operating at significant low temperature, the response time will be slower than it at 25C°. In high temperature, the color will be slightly dark and blue compared to original pattern. However, these are temperature-related phenomenon of LCD and it will not cause permanent damages to the display when used within the operating temperature.
- 3) The use of screen saver or sleep mode is recommended when static images are likely for long periods of time. This is to avoid the possibility of image sticking.
- 4) Spike noise can cause malfunction of the circuit. The recommended limitation of spike noise is no bigger than  $\pm 100$  mV.

### 12.4 PRECAUTIONS of STORAGE

If the displays are going to be stored for years, please be aware the following notices.

- 1) Please store the displays in a dark room to avoid any damages from sunlight and other sources of UV light.
- 2) The recommended long term storage temperature is between 10C° ~35C° and 55%~75% humidity to avoid causing bubbles between polarizer and LCD glasses, and polarizer peeling from LCD glasses.
- 3) It would be better to keep the displays in the container, which is shipped from JDI, and do not unpack it.
- 4) Please do not stick any labels on the display surface for a long time, especially on the polarizer.

### 13. DESIGNATION of LOT MARK

1) The lot mark is showing in Fig.13.1. First 4 digits are used to represent production lot, T represented made in Taiwan, and the last 6 digits are the serial number.

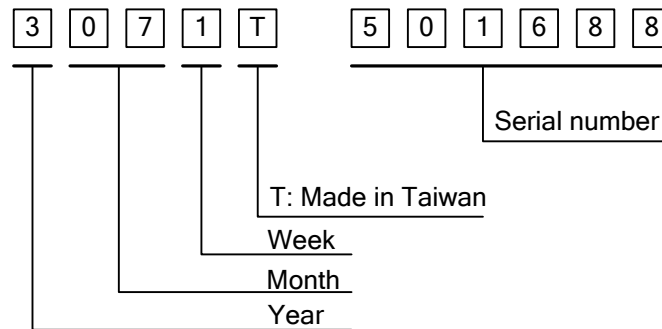


Fig. 13.1

2) The tables as below are showing what the first 4 digits of lot mark are shorted for.

Year	Lot Mark
2013	3
2014	4
2015	5
2016	6
2017	7

Month	Lot Mark	Month	Lot Mark
Jan.	01	Jul.	07
Feb.	02	Aug.	08
Mar.	03	Sep.	09
Apr.	04	Oct.	10
May	05	Nov.	11
Jun.	06	Dec.	12

Week	Lot Mark
1~7 days	1
8~14 days	2
15~21 days	3
22~28 days	4
29~31 days	5

3) Except letters I and O, revision number will be shown on lot mark and following letters A to Z.

REV No.	ITEM	LOT No.
A	-	-
B	Backlight Components Change	PCN1016
C	Driver IC & Connector changed	PCN1068

4) The location of the lot mark is on the back of the display shown in Fig. 13.2.

Label example :

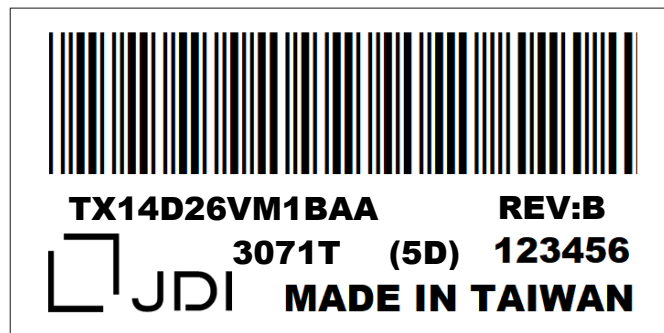


Fig. 13.2



# DATA MODUL

Passion Displayed



## All good things come in threes:

With **Hardware**, **Software** and **Services**, we realise unique display solutions that turn your ideas into reality.

[www.data-modul.com](http://www.data-modul.com)

