



# SPECIFICATION

---

## **KCA-K4R**

### Resistive Touch Connector

Version: 2.0  
Date: 05.04.2019

Note: This specification is subject to change without prior notice

## Flat Cable Connector

# KCA-K4R SPEC

### <Outline>

KCA-K4R series is the 1.25mm pitch connector for FPC (Flexible Printed Circuit) and FFC (Flexible Flat Cable). Connection is the structure where adopt the NON-ZIF (NON-Zero Insertion Force) system of the type which inserts FPC/FFC directly, and stable contact is obtained. A contact surface is double-sided contact structure, and its flexibility of the design to a lead conductor side improves.

### <Part No>

**K C A - K 4 R**

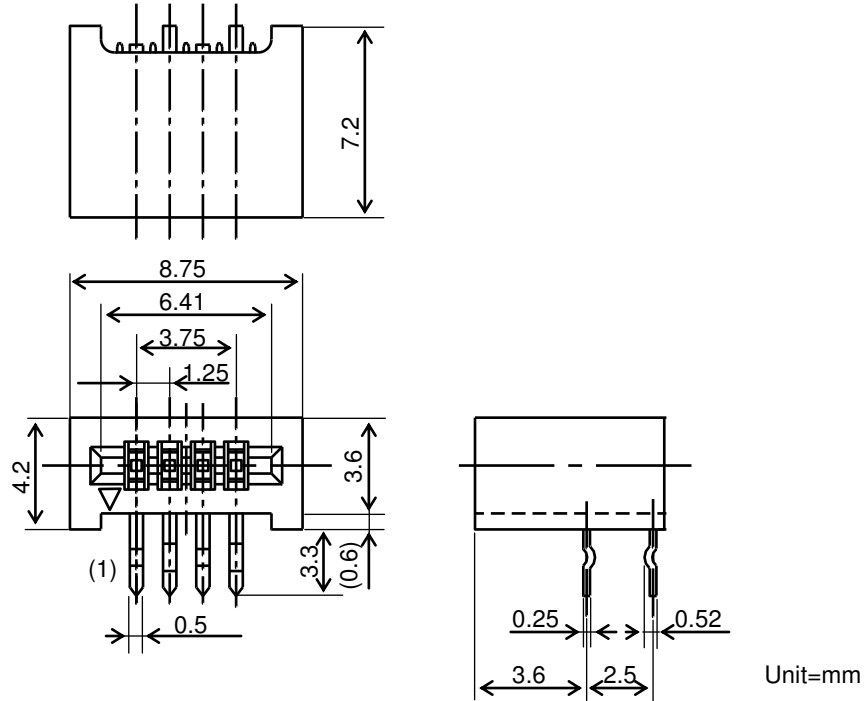
### <Spec>

Voltage rating	DC 200V
Current rating	1A
Dielectric withstanding voltage	AC 500V (1 min)
Insulation resistance	1000M ohm MIN
Contact resistance	20m ohm MAX
Temperature in operation	-20C to 80C
Pitch	1.25mm
Circuits	4
Contact surface	Both side
Type	Right Angle

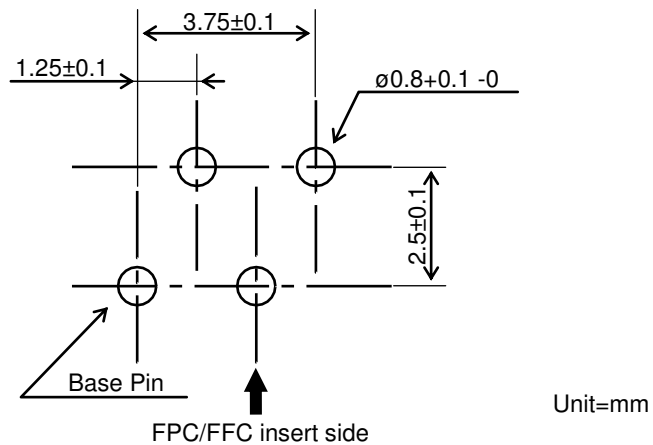
### <Material>

Contact	Sn (tin-plated)
Housing	GF PBT

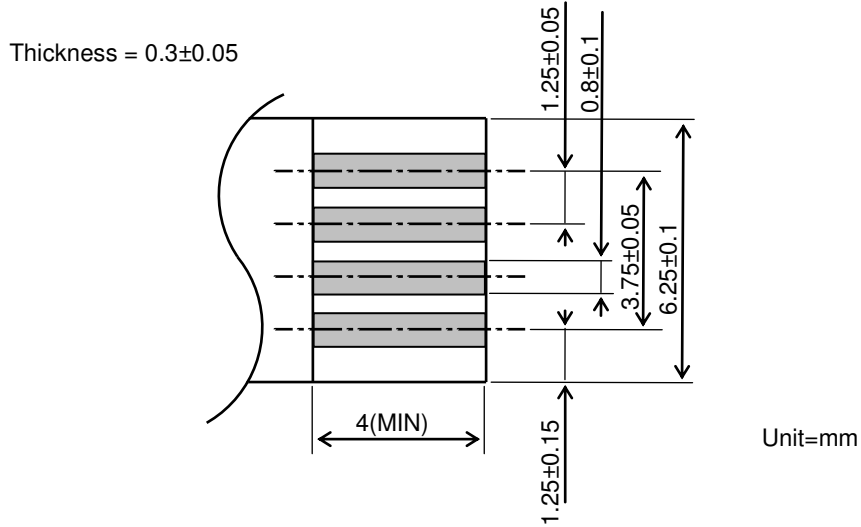
<Product size>



<Mounting layout (connector mounting side)>

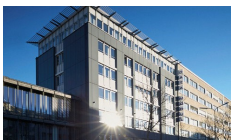


<Applicable FPC/FFC size>





ALL TECHNOLOGIES. ALL COMPETENCIES. ONE SPECIALIST.



DATA MODUL AG  
Landsberger Straße 322  
DE-80687 Munich  
Phone: +49-89-56017-0

DATA MODUL WEIKERSHEIM GMBH  
Lindenstraße 8  
DE-97990 Weikersheim  
Phone: +49-7934-101-0



More information and worldwide locations can be found at

[www.data-modul.com](http://www.data-modul.com)